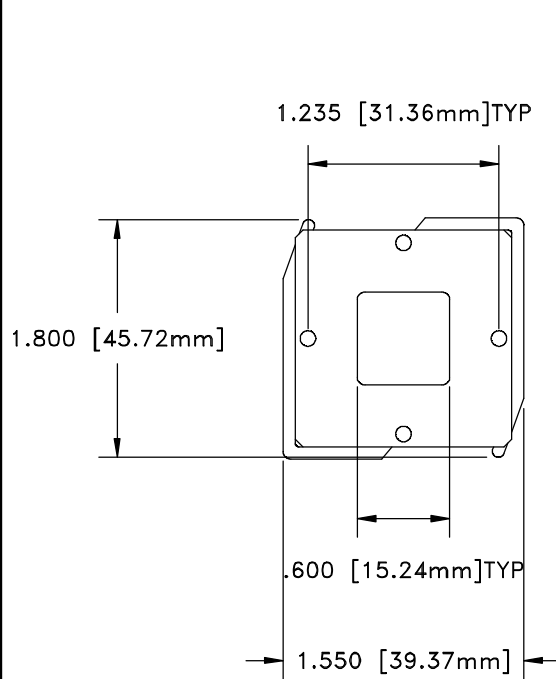
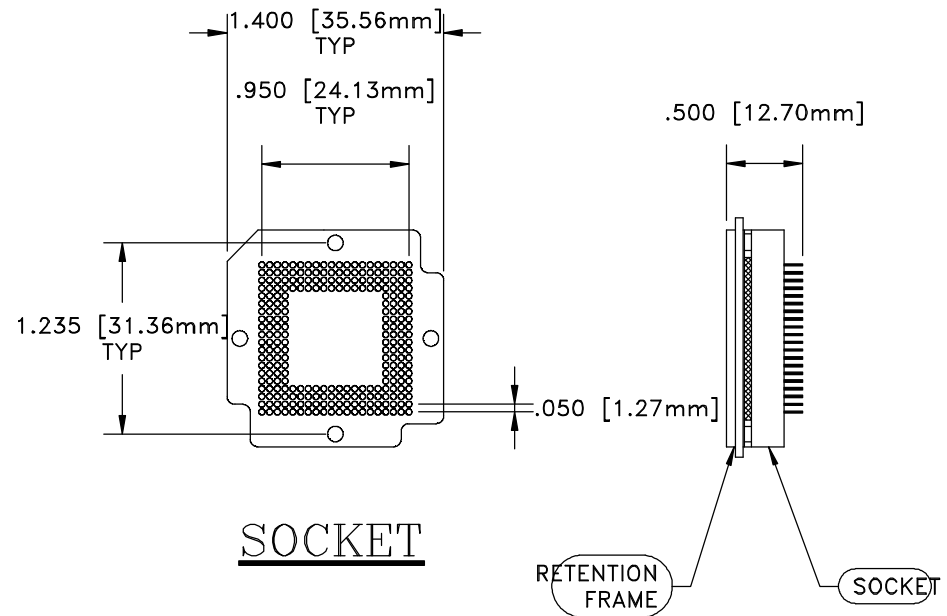


SKT940

DOD4940



RETENTION FRAME



ALL DIMENSIONS ARE IN INCHES UNLESS OTHERWISE SPECIFIED



Emulation Technology, Inc.
— VLSI and SMT ADAPTERS and ACCESSORIES —

2344 Walsh Avenue, Bldg. F
Santa Clara, Ca 95051

TEL:(408)982-0660
FAX:(408)982-0664

SHEET:
1 OF 1

DATE:
9/16/99

REVISION:

ASSEMBLY DRAWING

CHECKED:
PAULA OLSON

DRAWN:
JAMES GOUVEIA

ITEM:
S-BGZ-20-256-ET

DO NOT SCALE DRAWING

DESCRIPTION:
BPZ-256-2BG020-70