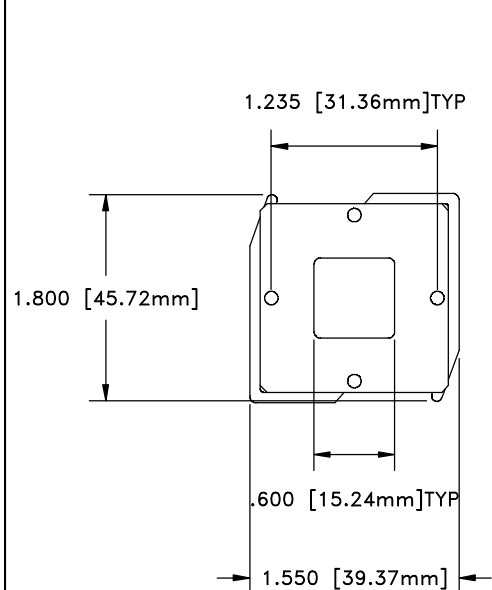
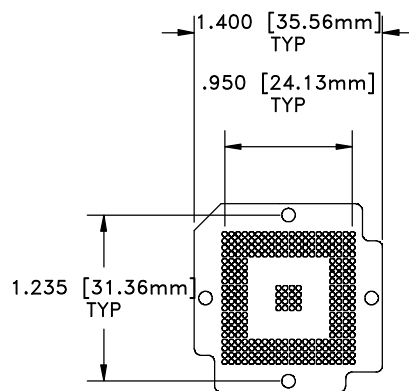


SKT938

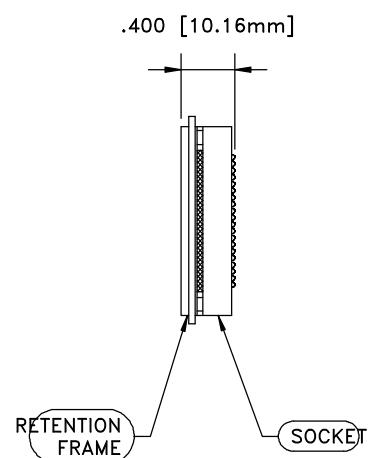
DOD4938



RETENTION FRAME



SOCKET



ALL DIMENSIONS ARE IN INCHES UNLESS OTHERWISE SPECIFIED

	Emulation Technology, Inc. — VLSI and SMT ADAPTERS and ACCESSORIES —	
	2344 Walsh Avenue, Bldg. F Santa Clara, Ca 95051	TEL:(408)982-0660 FAX:(408)982-0664
SHEET: 1 OF 1	DATE: 9/8/99	REVISION:
CHECKED: DAN ALTMAN	DRAWN: JAMES GOUVEIA	ITEM: S-BGZ-20-272-SM
DO NOT SCALE DRAWING		DESCRIPTION: BPZ-272-2BG020-30