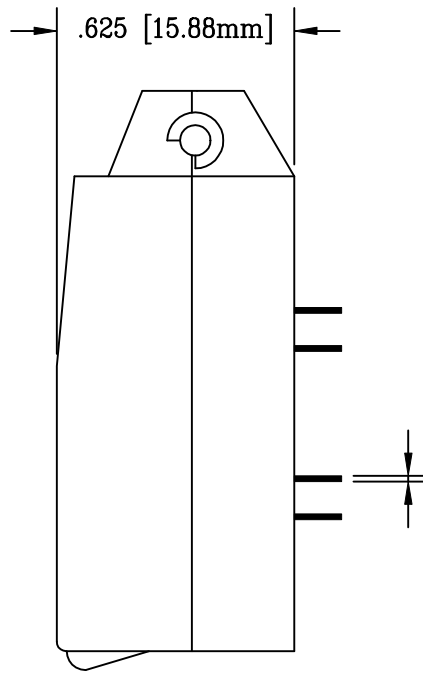
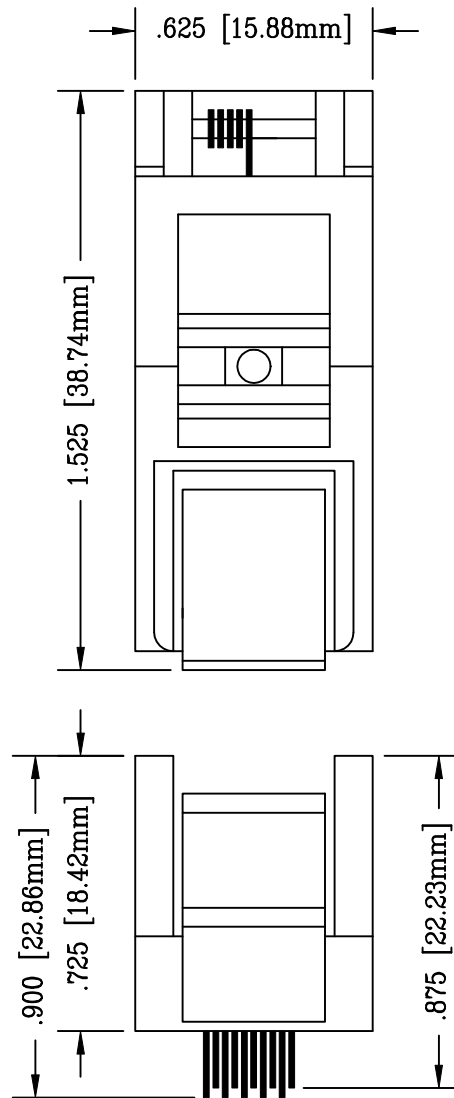
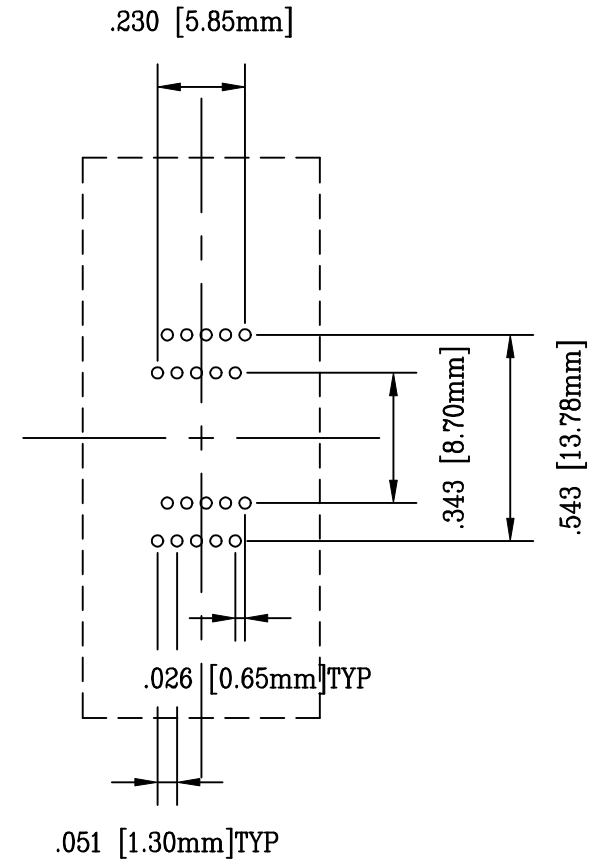


SKT490

DOD 4490



CONTACT TAILS
 .0157 [0.40mm] X
 .0118 [0.30mm]



RECOMMENDED PCB LAYOUT
 AS SEEN FROM TOP OF SOCKET

SCALE 2:1

PACKAGE SPECIFICATIONS	
PIN COUNT	= 20
LEAD PITCH	= 0.65mm
PACKAGE WIDTH	= 5.30mm

ALL DIMENSIONS ARE IN INCHES UNLESS OTHERWISE SPECIFIED



Emulation Technology, Inc.

— VLSI and SMT ADAPTERS and ACCESSORIES —

2344 Walsh Avenue, Bldg. F
 Santa Clara, Ca 95051

TEL:(408)982-0660
 FAX:(408)982-0664

SHEET: 1 OF 1	DATE: 2/21/01	REVISION:	ASSEMBLY DRAWING
CHECKED: Perry Munroe	DRAWN: Aaron Fine	ITEM: S-SS0-00-020-B	
DO NOT SCALE DRAWING			DESCRIPTION: S-SS0-00-020-B