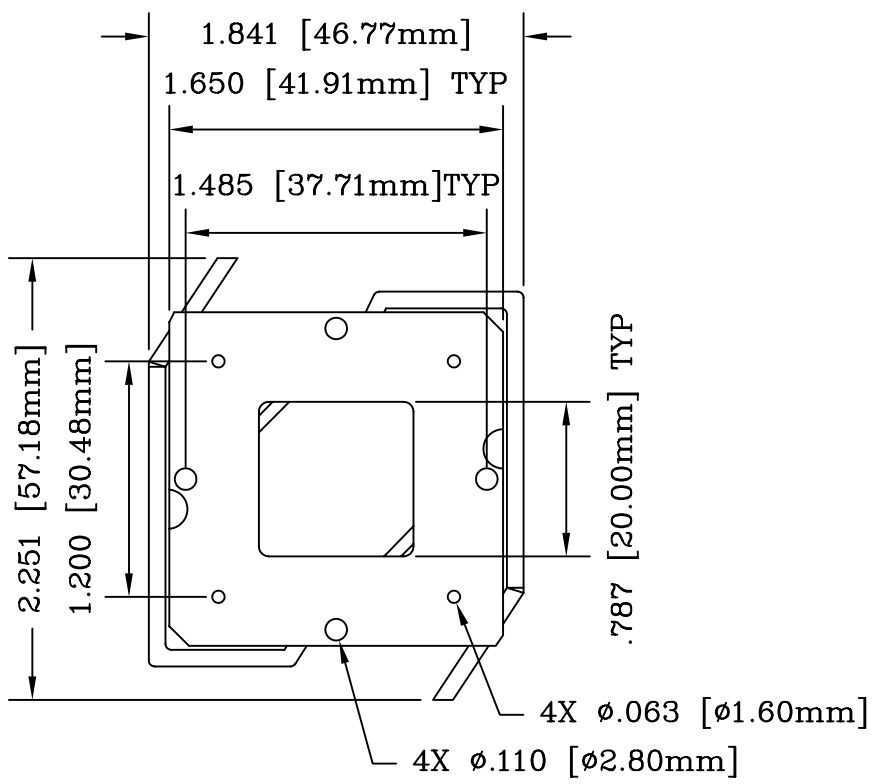
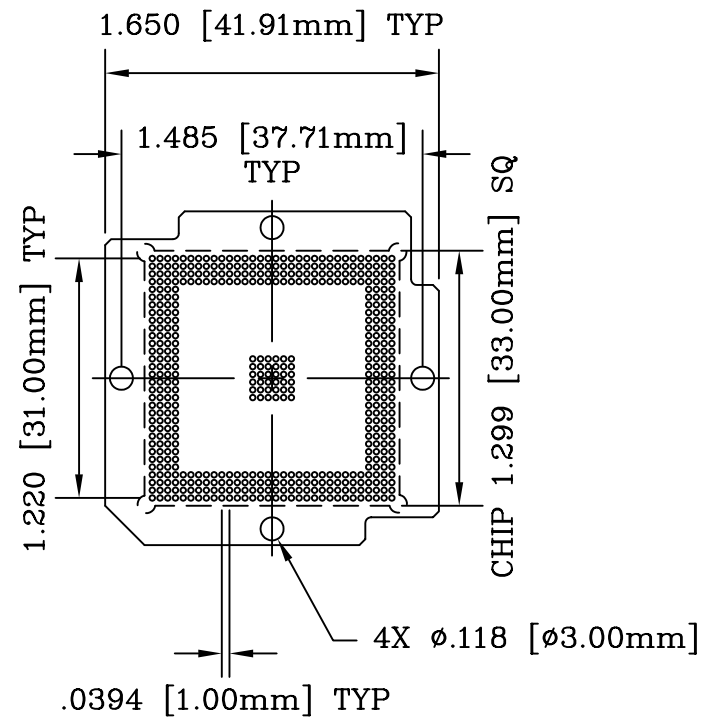


REV	DESCRIPTION	DATE	BY
A	NEW DRAWING	02/10/05	H.N.

SKT2227



ZIF LEVER-LOCK

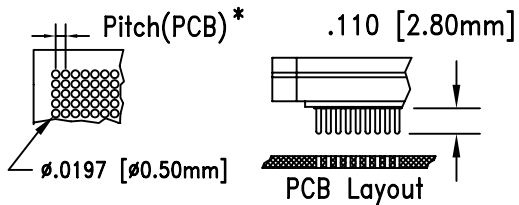
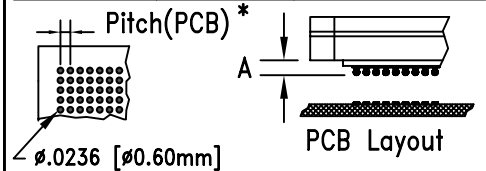


SOCKET

RECOMMENDED PAD LAYOUT

SOLDERTAIL STYLE		
REGULAR SMT STYLE XX = (-SM) YY = (-30)	RAISED SMT STYLE XX = (-SR) YY = (-29)	SPECIAL RAISED SMT STYLE XX = (-SC) YY = (-28)

SOLDERTAIL = THRU HOLE STYLE XX = (-ET) YY = (-70)
--



30= standard SMT ("A" = .0315 [0.80mm])
 29= raised SMT ("A" = .126 [3.20mm])
 28= Special raised SMT ("A" = .177 [4.50mm])

BALL DIAMETER FOR:
 -30(SM) = .0197 [0.50mm] TO .0276 [0.70mm]
 -29(SR) = .0197 [0.50mm] TO .0276 [0.70mm]
 -28(SC) = .0197 [0.50mm] TO .0276 [0.70mm]

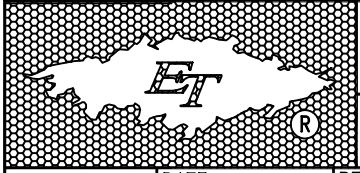
PIN DIAMETER FOR:
 -70(ET) = .0114 [0.29mm]

* All Dimmensions Are Nominal For A .0394 [1.00mm] Pitch BGA Package

PACKAGE SPECIFICATIONS

PIN COUNT	= 484
LEAD PITCH	= 1.00mm
GRID SIZE	= 32X32
PACKAGE SIZE	= 33.00mm SQ

ALL DIMENSIONS ARE IN MILLIMETERS UNLESS OTHERWISE SPECIFIED



Emulation Technology, Inc.
 — VLSI and SMT ADAPTERS and ACCESSORIES —

2344 Walsh Avenue, Bldg.F
 Santa Clara, Ca 95051
 TEL:(408)982-0660
 FAX:(408)982-0664

SHEET: 1 OF 1	DATE: 02/10/05	REVISION: A	ASSEMBLY DRAWING
---------------	----------------	-------------	-------------------------

CHECKED: Perry Munroe	DRAWN: Huy Nguyen	ITEM: S-MBZ-32-484-XX
-----------------------	-------------------	-----------------------

Scale 1:1	DO NOT SCALE DRAWING	DESCRIPTION: BPZ-484-3BG032-YY
-----------	----------------------	--------------------------------