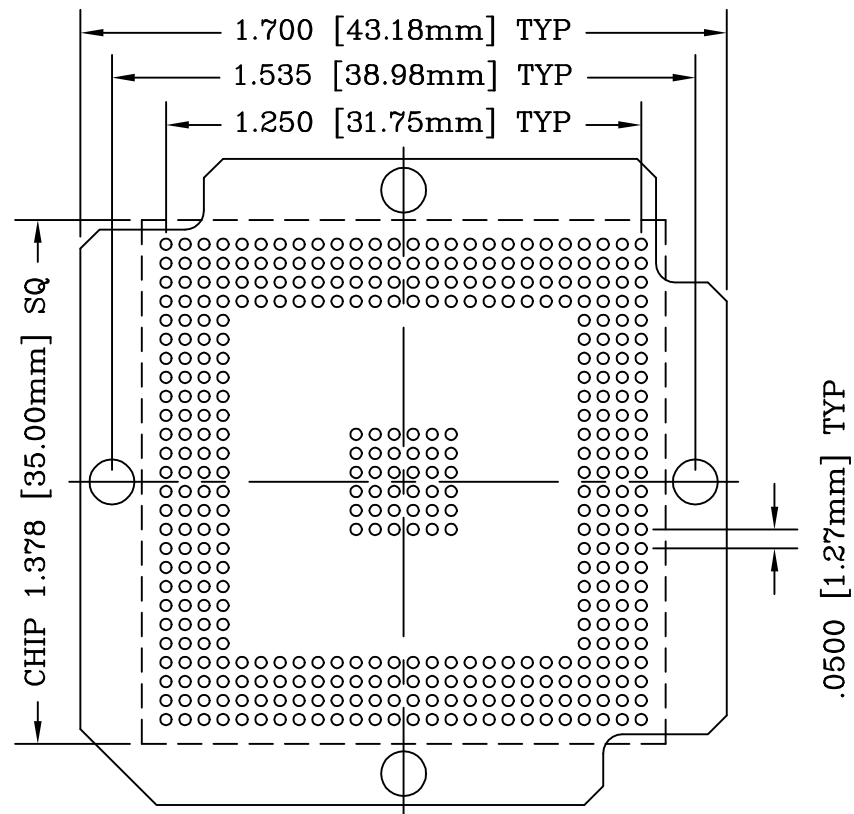
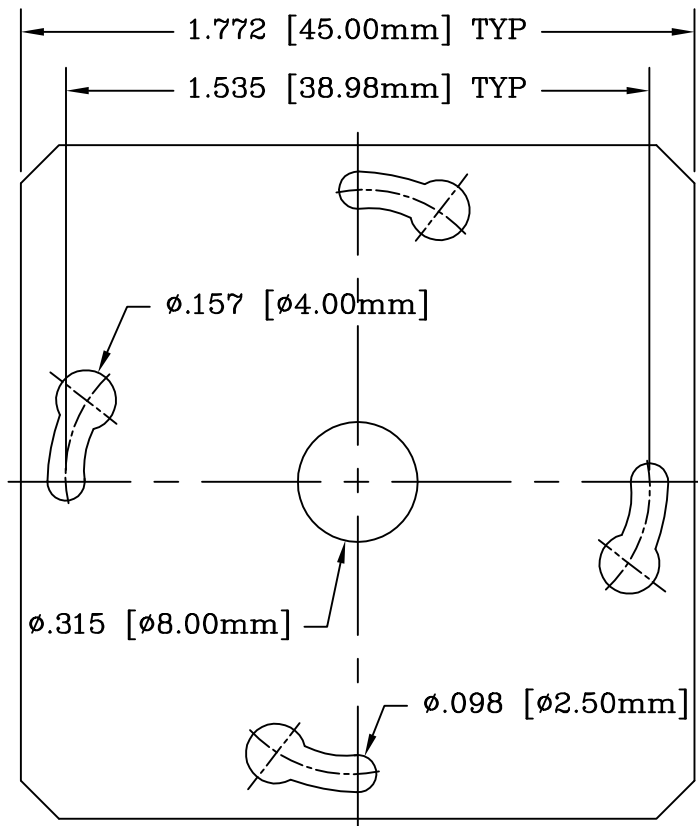


REV	DESCRIPTION	DATE	BY
A	NEW DRAWING	03/20/03	H.N.

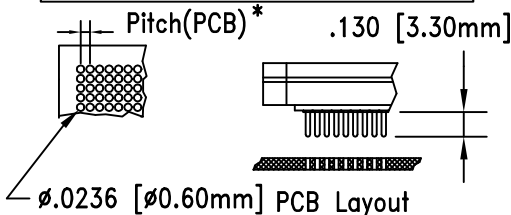
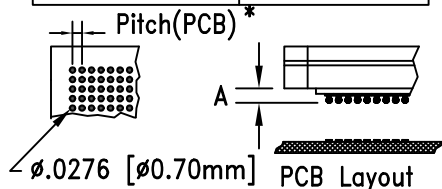
SKT1716  
DOD 41716



RECOMMENDED PAD LAYOUT

SOLDERTAIL STYLE	
REGULAR SMT STYLE	RAISED SMT STYLE
XX = (-SM)	XX = (-RC)
YY = (-30)	YY = (-29)

SOLDERTAIL = THRU HOLE STYLE
XX = (-ET)
YY = (-70)



30= standard SMD ("A" = .047 [1.20mm])  
29= raised SMD ("A" = .197 [5.00mm])

BALL DIAMETER FOR:  
-29(RC) = .026 [0.66mm]  
-30(SM) = .026 [0.66mm]

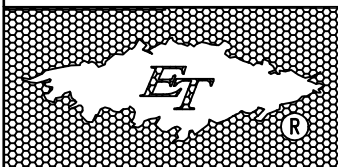
PIN DIAMETER FOR:  
-70(ET) = .0177 [0.45mm]

\* All Dimensions Are Nominal For A .050 [1.27mm] Pitch BGA Package

PACKAGE SPECIFICATIONS

PIN COUNT	= 388
LEAD PITCH	= 1.27mm
GRID SIZE	= 26X26
PACKAGE SIZE	= 35.00mm SQ

ALL DIMENSIONS ARE IN INCHES UNLESS OTHERWISE SPECIFIED



**Emulation Technology, Inc.**

— VLSI and SMT ADAPTERS and ACCESSORIES —

2344 Walsh Avenue, Bldg.F Santa Clara, Ca 95051  
TEL:(408)982-0660 FAX:(408)982-0664

SHEET: 1 OF 1	DATE: 03/20/03	REVISION: A	<b>ASSEMBLY DRAWING</b>
CHECKED: Perry Munroe	DRAWN: Huy Nguyen	ITEM: S-BGK-26-388-XX	DESCRIPTION: BPK-388-2BG026-YY
Scale 2:1	DO NOT SCALE DRAWING		