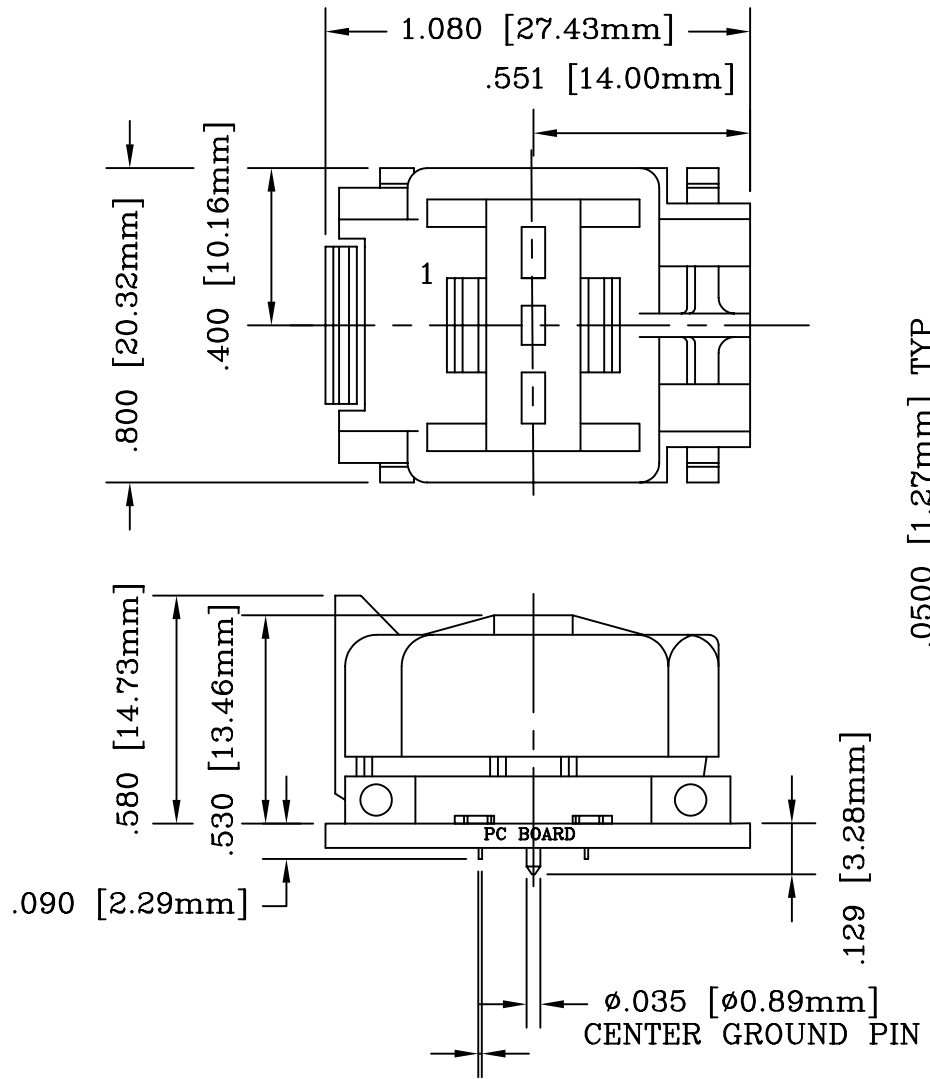


REV	DESCRIPTION	DATE	BY
A	NEW DRAWING	11/29/01	H.N.
B	UPDATED PACKAGE WIDTH TO 6X5	02/25/05	H.N.
C	ADDED PIN I.D MARKER	06/01/05	K.B.

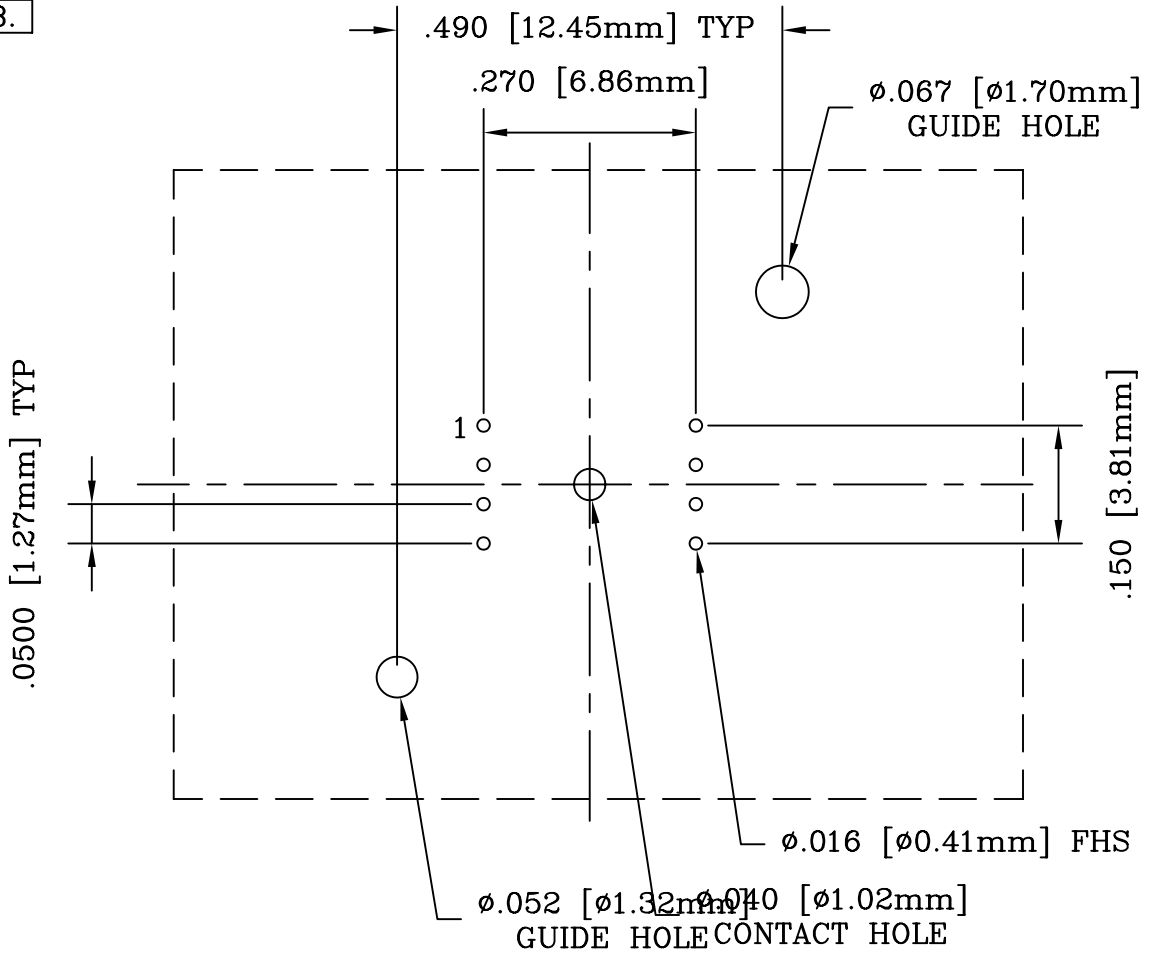
SKT1483

SCALE 4:1



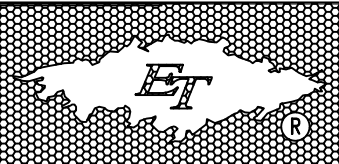
CONTACT TAILS
 .009 [0.23mm] X
 .004 [0.10mm]

PACKAGE SPECIFICATIONS	
PIN COUNT	= 8
LEAD PITCH	= 1.27mm
PACKAGE WIDTH	= 6.00 X 5.00mm



RECOMMENDED PCB LAYOUT
 AS SEEN FROM TOP OF SOCKET

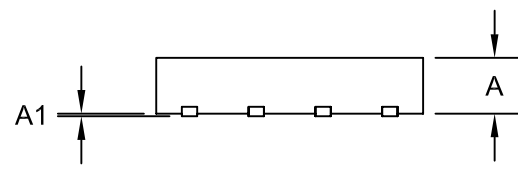
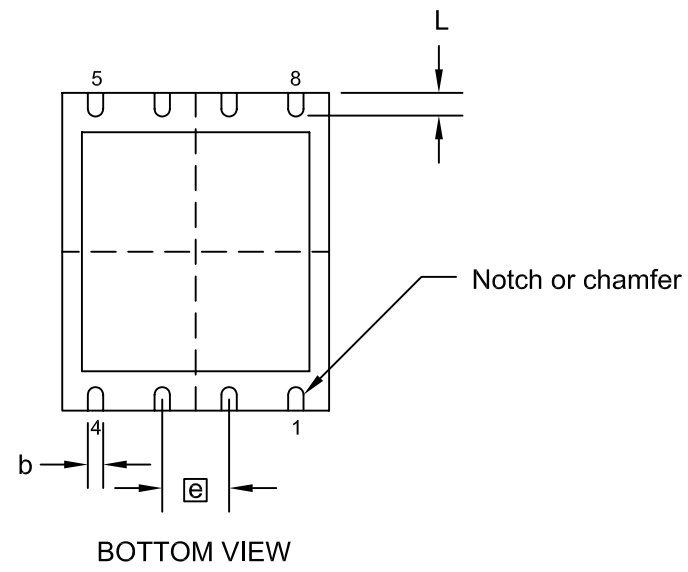
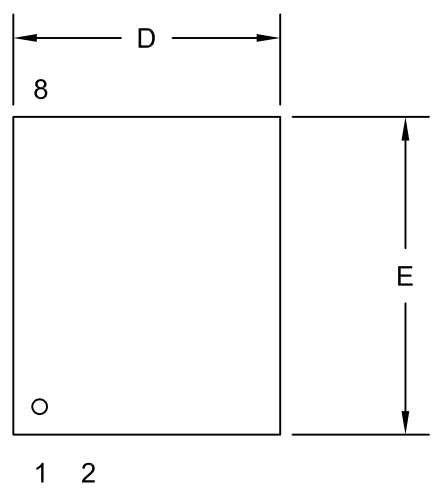
ALL DIMENSIONS ARE IN INCHES UNLESS OTHERWISE SPECIFIED



Emulation Technology, Inc.
 — VLSI and SMT ADAPTERS and ACCESSORIES —
 2344 Walsh Avenue, Bldg.F Santa Clara, Ca 95051
 TEL:(408)982-0660 FAX:(408)982-0664

SHEET: 1 OF 2	DATE: 02/25/05	REVISION: C	ASSEMBLY DRAWING
CHECKED: Perry Munroe	DRAWN: Huy Nguyen	ITEM: S-MLF-00-008-A	
Scale 2:1	DO NOT SCALE DRAWING	DESCRIPTION: S-MLF-00-008-A	

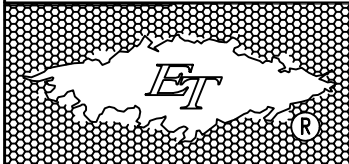
REV	DESCRIPTION	DATE	BY
-----	-------------	------	----



1. CONTROLLING DIMENSIONS: mm
2. MAX. COPLANARITY : 0.08 mm
0.003"

SYMBOL	MILLIMETER		INCH	
	MIN	MAX	MIN	MAX
A	0.80	1.00	0.032	0.039
A1	0	0.05	0	0.002
b	0.35	0.45	0.014	0.018
D	4.90	5.10	0.193	0.201
E	5.90	6.10	0.232	0.240
e	1.27 BSC		0.050 BSC	
L	0.50	0.70	0.020	0.028

ALL DIMENSIONS ARE IN MILLIMETERS UNLESS OTHERWISE SPECIFIED



Emulation Technology, Inc.
 — VLSI and SMT ADAPTERS and ACCESSORIES —
 2344 Walsh Avenue, Bldg.F Santa Clara, Ca 95051
 TEL:(408)982-0660 FAX:(408)982-0664

SHEET: 2 OF 2	DATE: 04/04/05	REVISION: C	ASSEMBLY DRAWING
CHECKED: Perry Munroe	DRAWN: Huy Nguyen	ITEM: S-MLF-00-008-A	DESCRIPTION: S-MLF-00-008-A
Scale 1:1	DO NOT SCALE DRAWING		