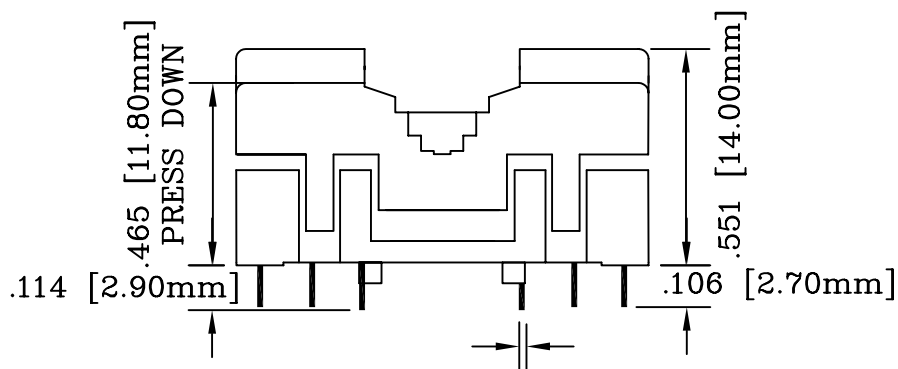
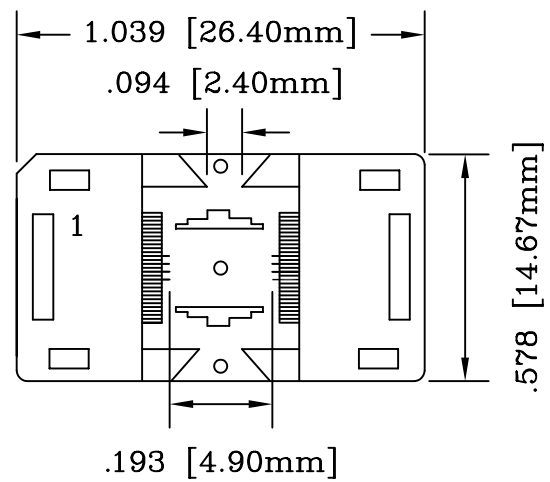


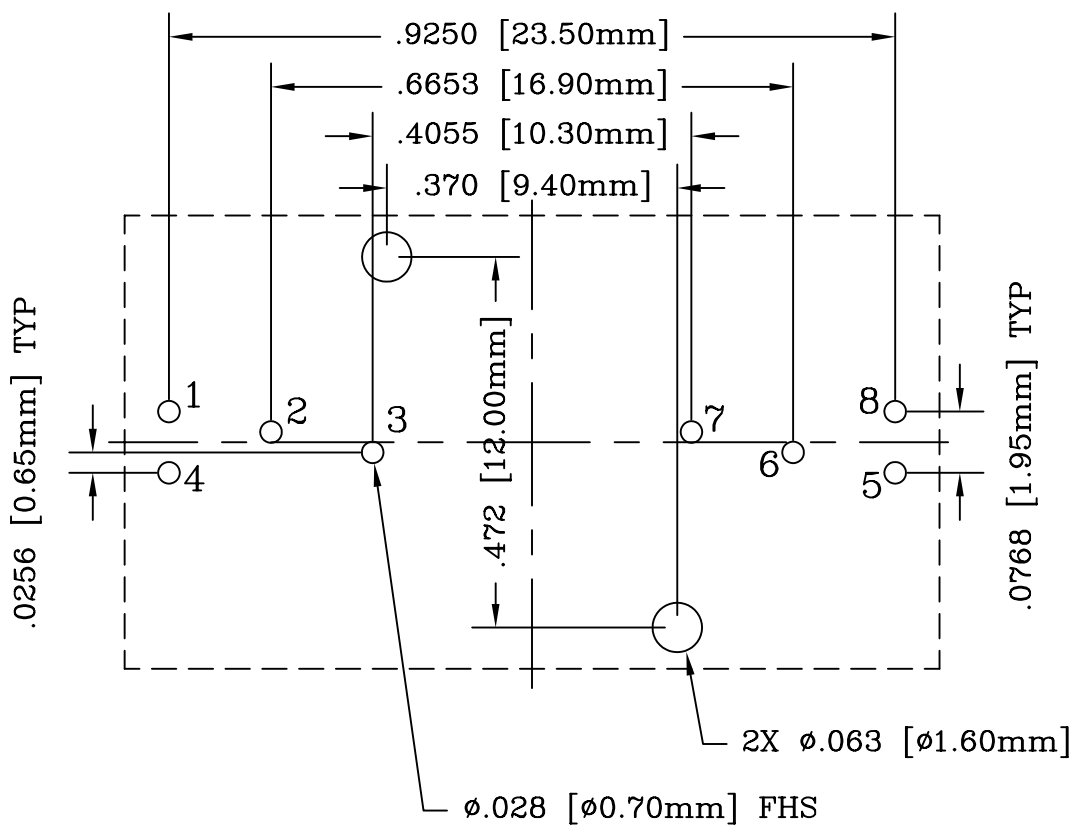
REV	DESCRIPTION	DATE	BY
A	NEW DRAWING	3/7/01	A.F.
B	UPDATED DWG & DIMENSIONS	08/22/02	H.N.
C	ADDED PIN OUT	06/24/05	H.N.

SKT1055



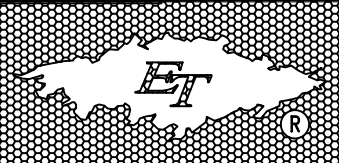
CONTACT TAILS
.0157 [0.40mm] X
.0098 [0.25mm]

PACKAGE SPECIFICATIONS	
PIN COUNT	≡ 8
LEAD PITCH	≡ 0.65mm
PACKAGE WIDTH	≡ 4.40mm
ET PACKAGE CODE	= 08-ST03



RECOMMENDED PCB LAYOUT
AS SEEN FROM TOP OF SOCKET

ALL DIMENSIONS ARE IN INCHES UNLESS OTHERWISE SPECIFIED



Emulation Technology, Inc.
— VLSI and SMT ADAPTERS and ACCESSORIES —
2344 Walsh Avenue, Bldg.F Santa Clara, Ca 95051
TEL:(408)982-0660 FAX:(408)982-0664

SHEET: 1 OF 1	DATE: 06/24/05	REVISION: C	ASSEMBLY DRAWING
CHECKED: Perry Munroe	DRAWN: Huy Nguyen	ITEM: S-TSS-00-008-A	
Scale 2:1 DO NOT SCALE DRAWING			DESCRIPTION: S-TSS-00-008-A