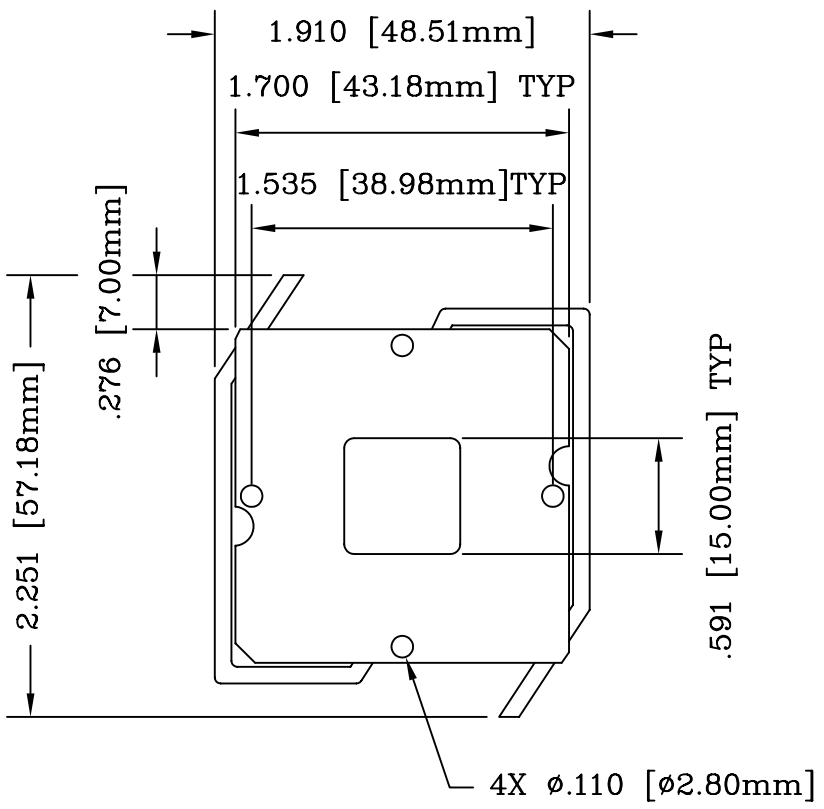
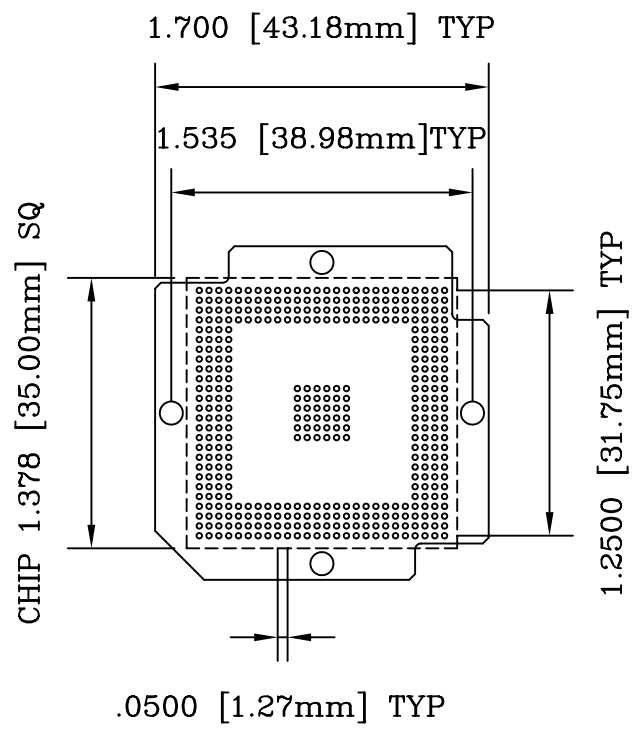


REV	DESCRIPTION	DATE	BY
A	NEW DRAWING	09/08/03	H.N.

SKT1033



ZIF LEVER-LOCK



SOCKET

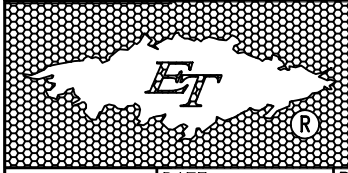
RECOMMENDED PAD LAYOUT

<p>SOLDERTAIL STYLE</p> <table border="1"> <tr> <th>REGULAR SMT STYLE</th> <th>RAISED SMT STYLE</th> </tr> <tr> <td>XX = (-SM)</td> <td>XX = (-SR)</td> </tr> <tr> <td>YY = (-30)</td> <td>YY = (-29)</td> </tr> </table>		REGULAR SMT STYLE	RAISED SMT STYLE	XX = (-SM)	XX = (-SR)	YY = (-30)	YY = (-29)	<p>SOLDERTAIL = THRU HOLE STYLE</p> <p>XX = (-ET) YY = (-70)</p>
REGULAR SMT STYLE	RAISED SMT STYLE							
XX = (-SM)	XX = (-SR)							
YY = (-30)	YY = (-29)							
<p>30= standard SMD ("A" = .047 [1.20mm]) 29= raised SMD ("A" = .197 [5.00mm])</p>	<p>PIN DIAMETER FOR: -29(SR) = .026 [0.66mm] -30(SM) = .026 [0.66mm]</p>							

PACKAGE SPECIFICATIONS

PIN COUNT	= 388
LEAD PITCH	= 1.27mm
GRID SIZE	= 26X26
PACKAGE SIZE	= 35.00mm SQ

ALL DIMENSIONS ARE IN INCHES UNLESS OTHERWISE SPECIFIED



Emulation Technology, Inc.
 — VLSI and SMT ADAPTERS and ACCESSORIES —
 2344 Walsh Avenue, Bldg.F Santa Clara, Ca 95051
 TEL:(408)982-0660 FAX:(408)982-0664

SHEET: 1 OF 1	DATE: 09/08/03	REVISION: A	ASSEMBLY DRAWING
CHECKED: Perry Munroe	DRAWN: Hanh Nguyen	ITEM: S-BGZ-26-388-XX	
Scale 1:1			DO NOT SCALE DRAWING
DESCRIPTION:			BPZ-388-2BG026-YY

* All Dimmensions Are Nominal For A .050 [1.27mm] Pitch BGA Package