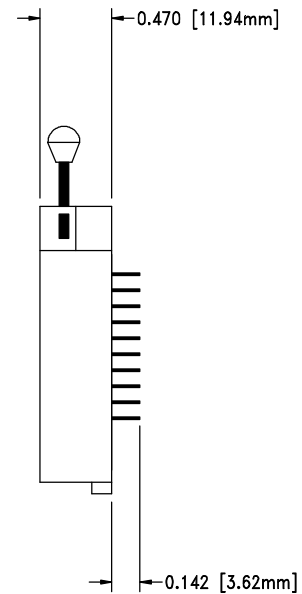
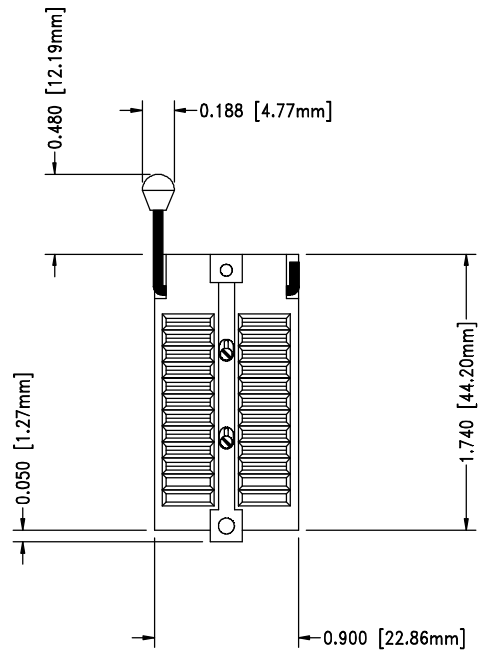



SKT059



DIMENSIONS ARE IN INCHES[MILLIMETERS]

		Emulation Technology, Inc. — VLSI and SMT ADAPTERS and ACCESSORIES —	
		2344 Walsh Avenue, Bldg. F Santa Clara, Ca 95051	
TEL:(408)982-0660 FAX:(408)982-0664			
SHEET: 1 OF 1	DATE: 6-16-93	REVISION:	TEST & BURN IN SOCKET
CHECKED: GABOR KARDOS	DRAWN: SCOTT BARCELLOS	E.T. PART #: S-DIP-00-020-AZ	
DO NOT SCALE DRAWING			ID CODE: BI SKT .300"