



EMULATION TECHNOLOGY, INC.

PROGRAMMING ADAPTER SPECIFICATION

Item: 080802S300
Description: AS-08-08-02S-3

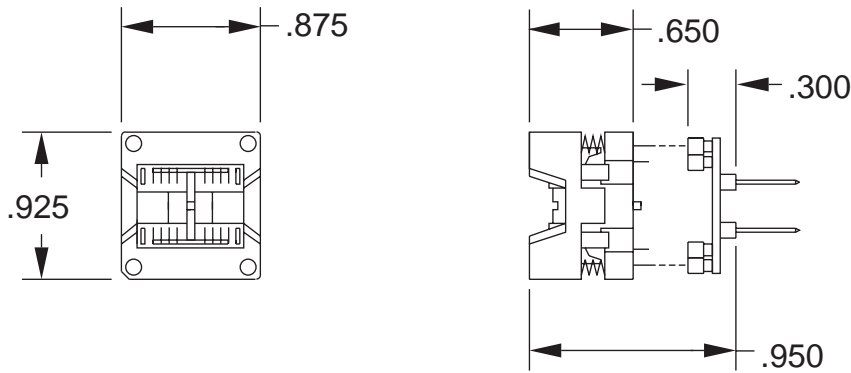
REPLACEMENT SOCKET: S-SOL-00-016-C
Call Emulation Technology for a replacement socket price and delivery quote.

CONNECTION TABLE:

SOIC SOCKET	Pin Base	DIP Base
1	NC	7
2	VCC	8
3	CS	1
4	CLK	2
5	DI	3
6	DO	4
7	VSS	5
8	NC	6

TYPICAL DIMENSIONS:

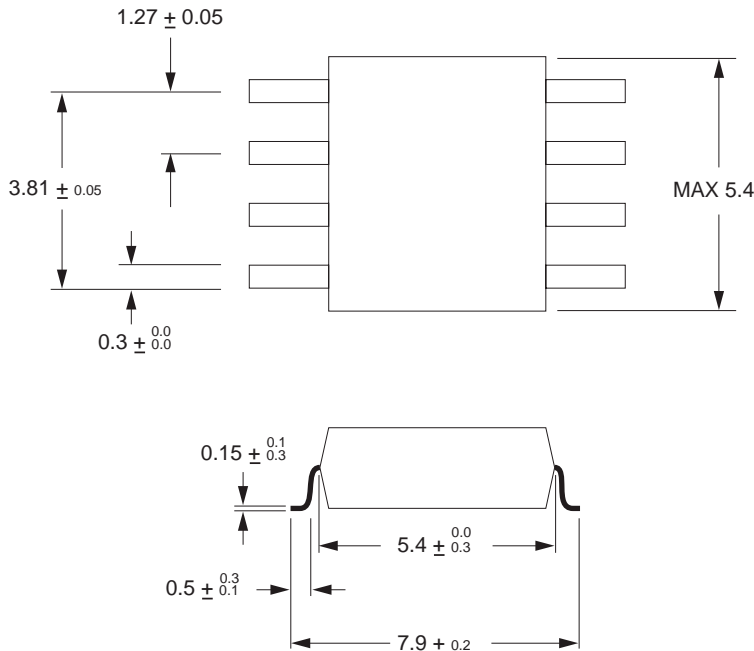
Note: DIP base is .300" wide



All Dimensions in Inches.

(Assembly Drawing: F4460)

PACKAGE SPECIFICATIONS:



All Dimensions in Millimeters

ET Code: 08-SO02

Compatible SOIC devices:

- 93LC46AX/BX
- 93LC56AX/BX
- 93LC66AX/BX

Manufacturer:
Microchip



EMULATION TECHNOLOGY, INC.
2344 WALSH AVENUE ♦ BUILDING F
SANTA CLARA, CA 95051-1301
TEL 408/982.0660 ♦ FAX 408/982.0664

Call today for a FREE Full Line Catalog and Unlimited Application Consulting!