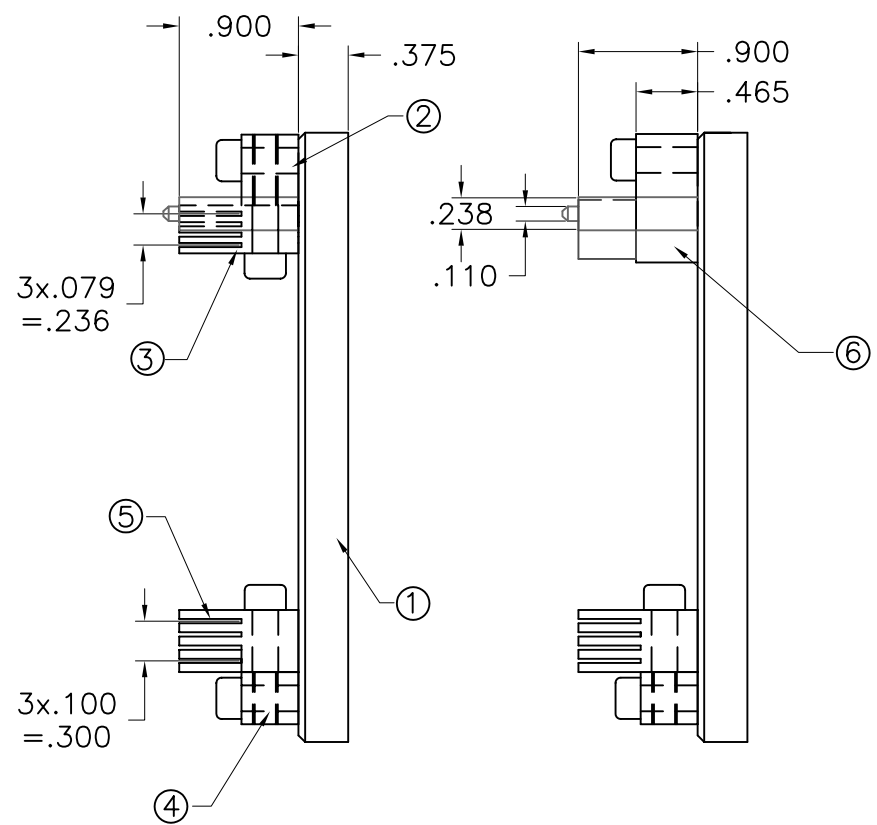
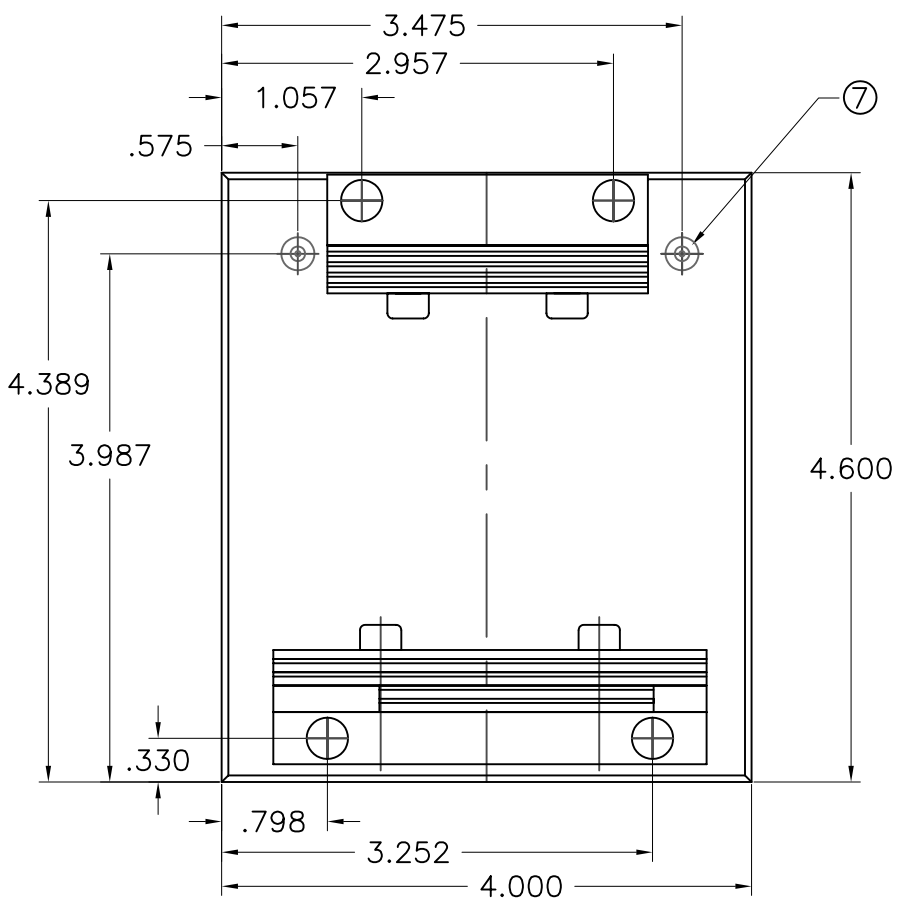


REV	DESCRIPTION	DATE	BY
A	NEW DRAWING	11/16/05	H.N.

F7627



UNLESS OTHERWISE SPECIFIED:
 DIMENSIONS ARE IN INCHES
 AND TOLERANCES ARE:
 FRACTIONS DECIMALS ANGLES
 ±1/64 .XX ± .02 ±1°
 .XXX ± .010

NOTES: UNLESS OTHERWISE SPECIFIED

FIND	QTY	DESCRIPTION
7	2	LOCATING POST
6	1	SUPPORT FOR PC104 PLUS & SHROUD
5	1	PC104 SUPPORT FOR PINS
4	1	PC104 BASE
3	1	PC104 PLUS SUPPORT FOR PINS
2	1	PC104 PLUS BASE
1	1	BASE PLATE FOR PRESS FIT TOOL

ALL DIMENSIONS ARE IN INCHES UNLESS OTHERWISE SPECIFIED

Emulation Technology, Inc.
 — VLSI and SMT ADAPTERS and ACCESSORIES —
 2344 Walsh Avenue, Bldg.F Santa Clara, Ca 95051
 TEL:(408)982-0660 FAX:(408)982-0664

SHEET: 1 OF 1	DATE: 11/16/05	REVISION: A	ASSEMBLY DRAWING
CHECKED: Perry Munroe		DRAWN: Huy Nguyen	
Scale N/A		DO NOT SCALE DRAWING	
		ITEM: HW-PC104-PRESS2	
		DESCRIPTION: HW-PC104-PRESS2	