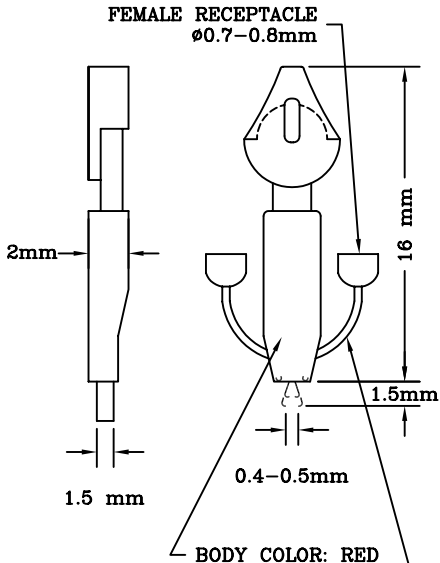


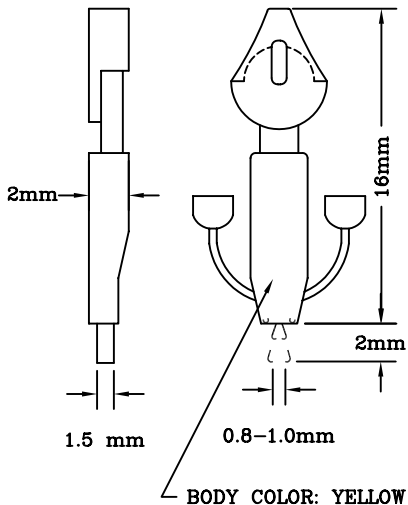
REV	DESCRIPTION	DATE	BY
A	NEW DRAWING	09/12/05	H.N.

F7550

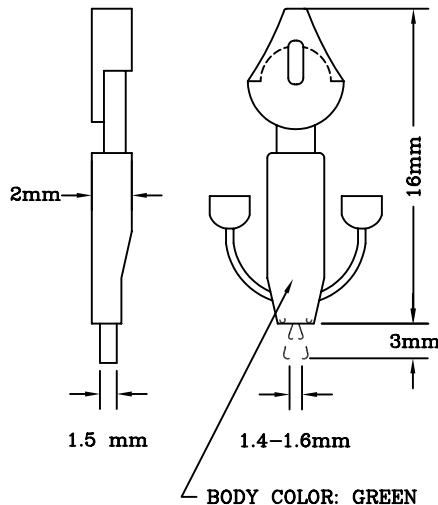
FP-T23-02



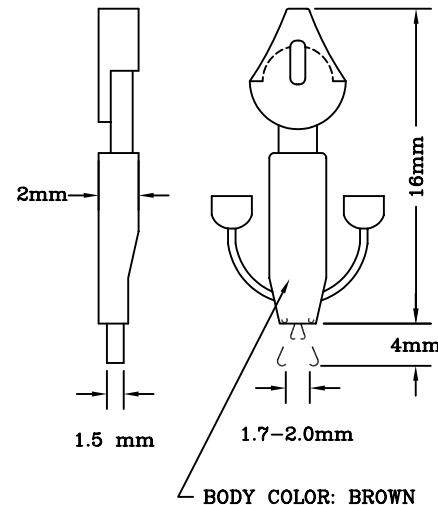
FP-T23-04



FP-T23-06



FP-T23-08




LEAD WIRE L = 15mm

TABLE PART #

ITEM #	DESCRIPTION #
FP-T23-02	FP-T23-02
FP-T23-04	FP-T23-04
FP-T23-06	FP-T23-06
FP-T23-08	FP-T23-08

ALL DIMENSIONS ARE IN MILLIMETERS UNLESS OTHERWISE SPECIFIED



Emulation Technology, Inc.
 — VLSI and SMT ADAPTERS and ACCESSORIES —
 2344 Walsh Avenue, Bldg.F Santa Clara, Ca 95051
 TEL:(408)982-0660 FAX:(408)982-0664

SHEET: 1 OF 1	DATE: 09/12/05	REVISION: A	ASSEMBLY DRAWING
CHECKED: Perry Munroe	DRAWN: Huy Nguyen	ITEM: REFER TO TABLE	
Scale N/A	DO NOT SCALE DRAWING	DESCRIPTION: REFER TO TABLE	