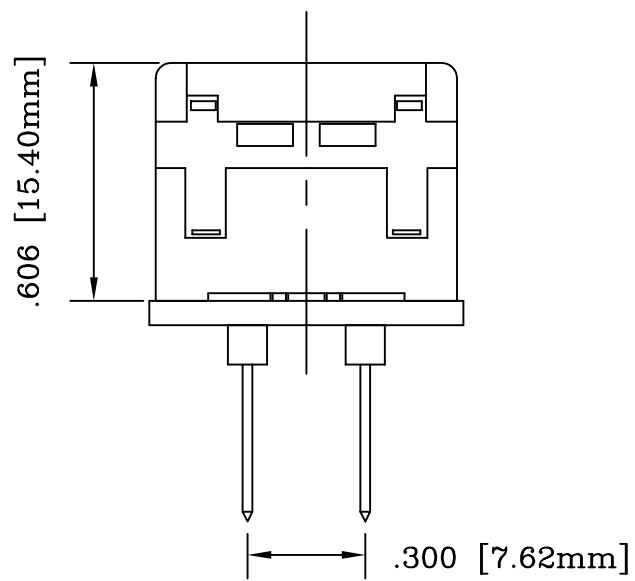
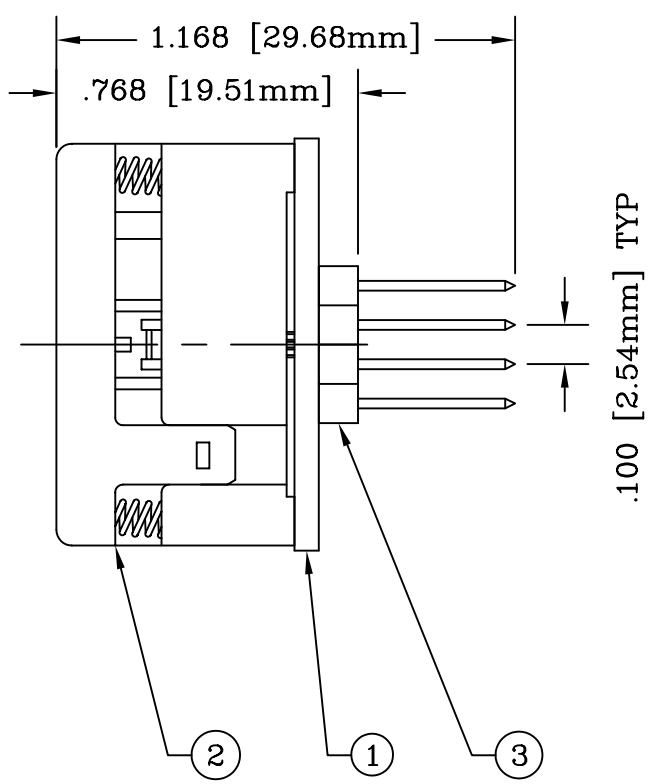
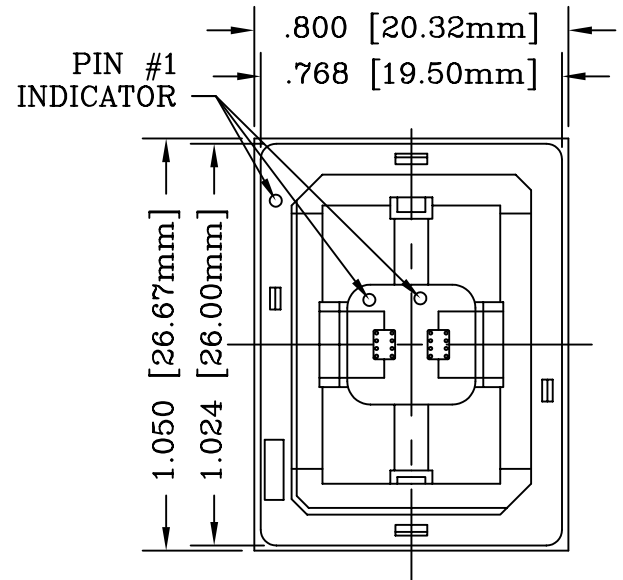
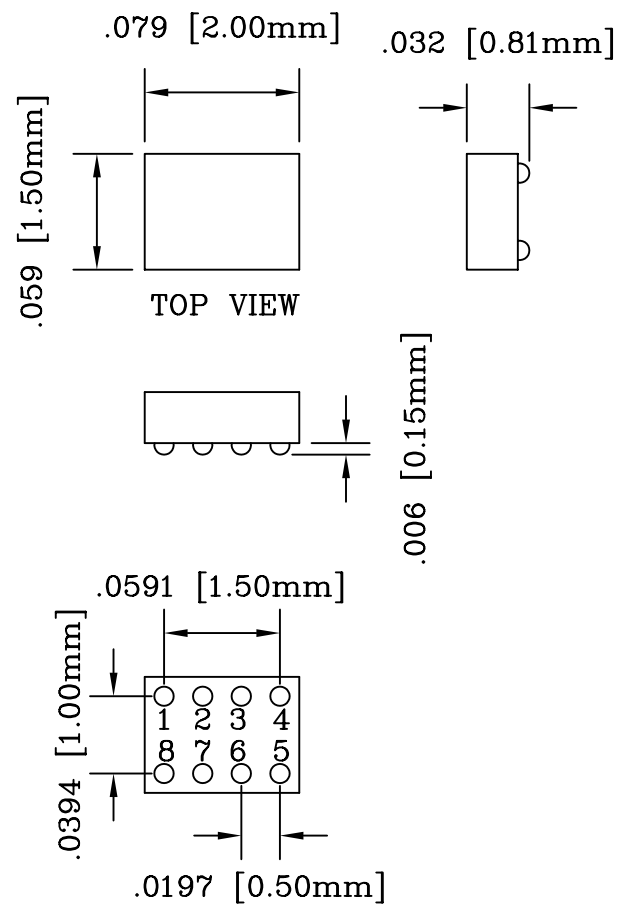


REV	DESCRIPTION	DATE	BY
A	NEW DRAWING	06/17/04	M.D.
B	ADDED PACKAGE DRAWING	07/02/04	H.N.

F7272

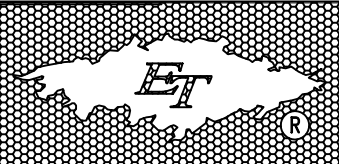


-ADAPTER ROUTED 1-T0-1
 -DUAL SIMULTANEOUS
 CHIP PROGRAMING



SCALE 10:1
 PACKAGE DRAWING

ALL DIMENSIONS ARE IN INCHES UNLESS OTHERWISE SPECIFIED



Emulation Technology, Inc.
 — VLSI and SMT ADAPTERS and ACCESSORIES —

2344 Walsh Avenue, Bldg.F Santa Clara, Ca 95051
 TEL:(408)982-0660 FAX:(408)982-0664

NO.	ITEM	DESCRIPTION	QTY.
1	08-08-01BG-DL	BASE BOARD	1
2	S-MBG-2X4-008-A	SOLDER ON TOP #1	1
3	WWPOST-40-PGA	SOLDER ON BOTTOM #1	.1

SHEET: 1 OF 1	DATE: 07/02/04	REVISION: B	ASSEMBLY DRAWING
CHECKED: Perry Munroe	DRAWN: Huy Nguyen	ITEM: 0808015BG300D	
Scale 2:1	DO NOT SCALE DRAWING	DESCRIPTION: AS-08-08-01BG-3-DUAL	