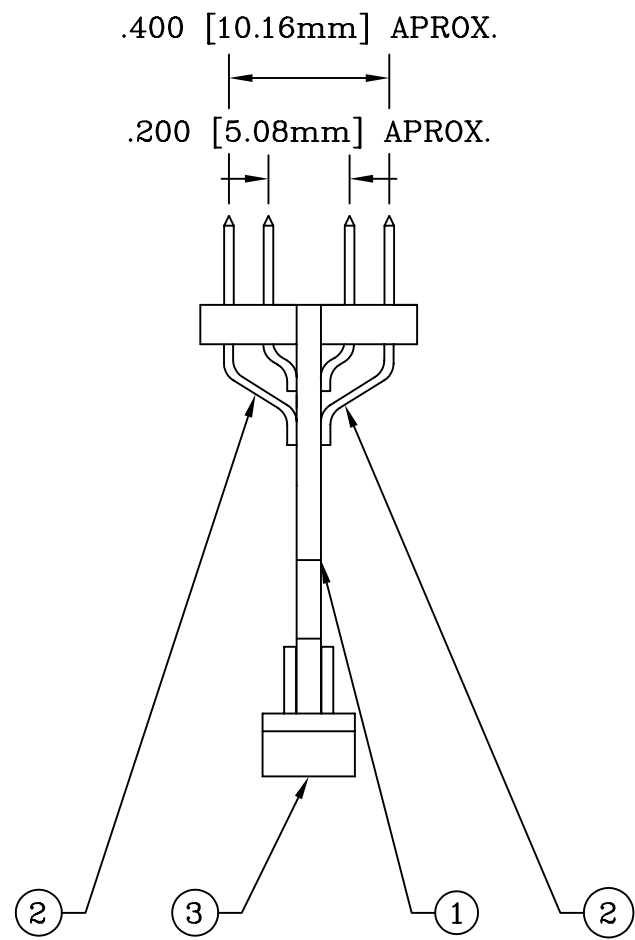
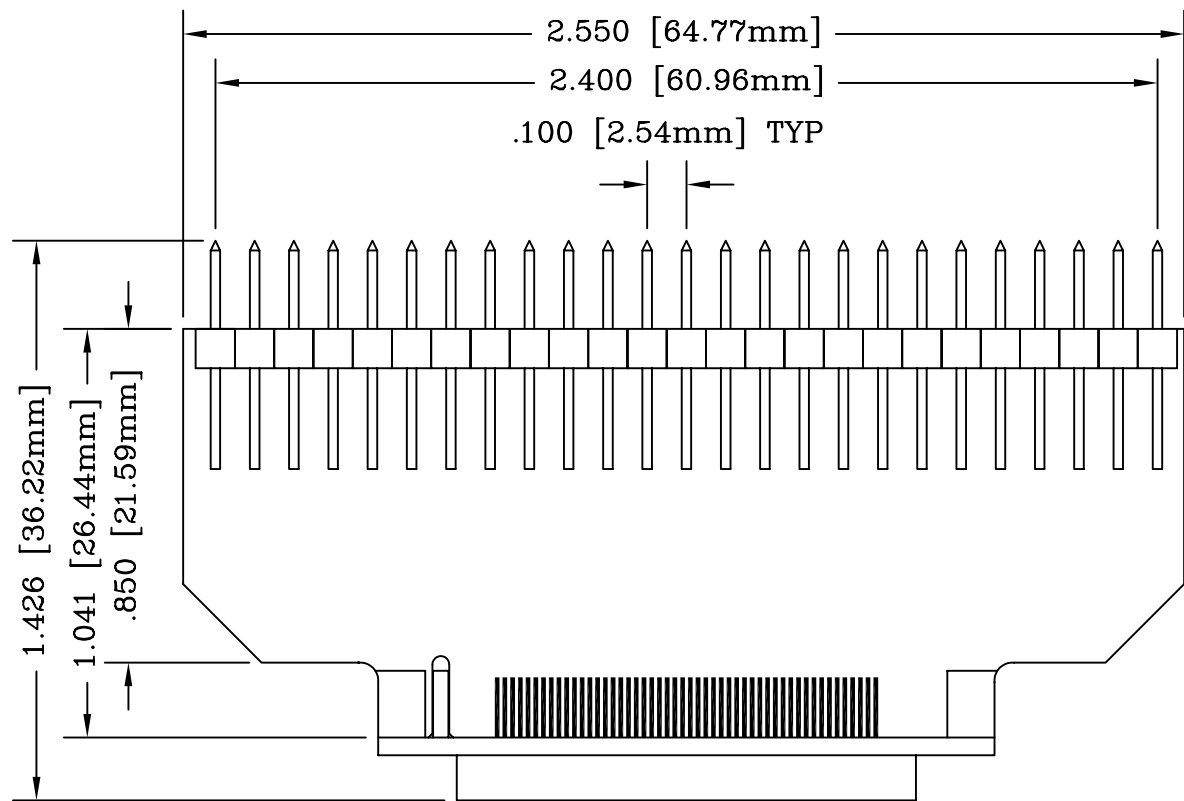


REV	DESCRIPTION	DATE	BY
A	NEW DRAWING	04/30/04	H.N.

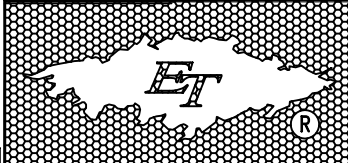
F7256  
DOD 37256



ALL DIMENSIONS ARE IN INCHES UNLESS OTHERWISE SPECIFIED

**Emulation Technology, Inc.**  
— VLSI and SMT ADAPTERS and ACCESSORIES —

2344 Walsh Avenue, Bldg.F Santa Clara, Ca 95051  
TEL:(408)982-0660 FAX:(408)982-0664



NO.	ITEM	DESCRIPTION	QTY.
1	100-BRKOUT-MALE	BASE BOARD	1
2	WWPOST-25X2-SMT	MOUNT ON TOP & BOTTOM #1	2
3	CON-100-5MAL-SM	MOUNT ON THE EDGE OF # 1	1

SHEET: 1 OF 1	DATE: 04/30/04	REVISION: A	<b>ASSEMBLY DRAWING</b>
CHECKED: Perry Munroe	DRAWN: Huy Nguyen	ITEM: SAM-100BREAKMAL	
Scale 2:1 DO NOT SCALE DRAWING			DESCRIPTION: SAM-100-BREAKOUT-MALE