

REV	DESCRIPTION	DATE	BY
A	NEW DRAWING	10/17/03	H.N.

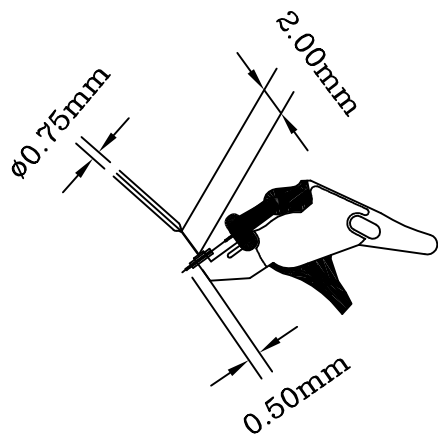
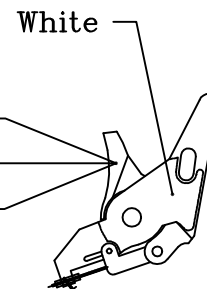
F7064
DOD 37064

IC Leads pitch

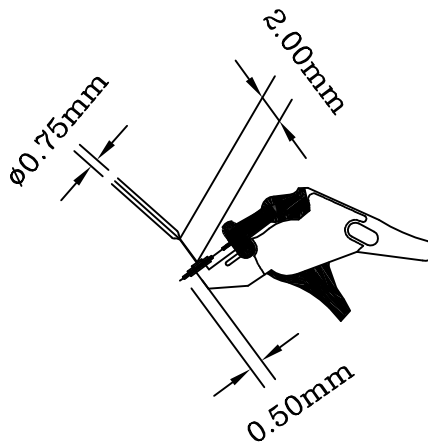
L: 2.54 ~ 0.80mm
M: 1.00 ~ 0.50mm
S: 0.50 ~ 0.20mm

Lever color

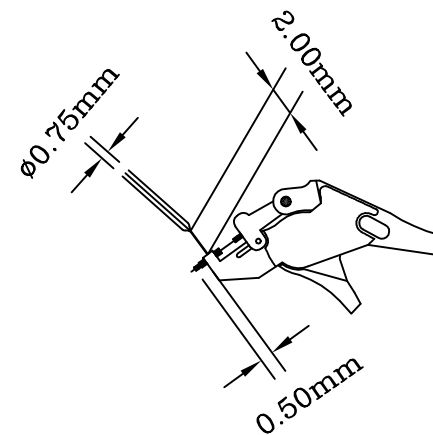
Green
Dark blue
Red



FPN-SS-1



FPN-SM-1



FPN-SL-1

ALL DIMENSIONS ARE IN MILLIMETERS UNLESS OTHERWISE SPECIFIED			
		Emulation Technology, Inc. — VLSI and SMT ADAPTERS and ACCESSORIES —	
		2344 Walsh Avenue, Bldg.F Santa Clara, Ca 95051	
TEL:(408)982-0660 FAX:(408)982-0664			
SHEET: 1 OF 1	DATE: 10/17/03	REVISION: A	ASSEMBLY DRAWING
CHECKED: Perry Munroe	DRAWN: Huy Nguyen		ITEM: 10 GHz NOISE FREE TEST CLIP
Scale N/A	DO NOT SCALE DRAWING	DESCRIPTION: 10 GHz NOISE FREE TEST CLIP	