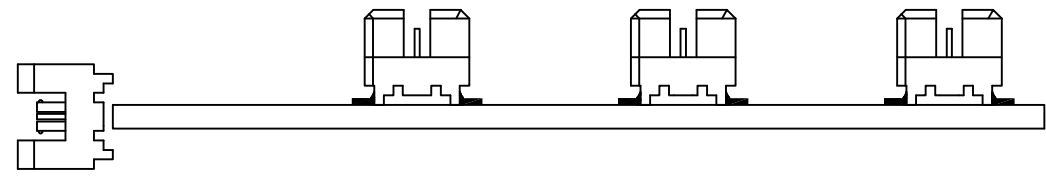
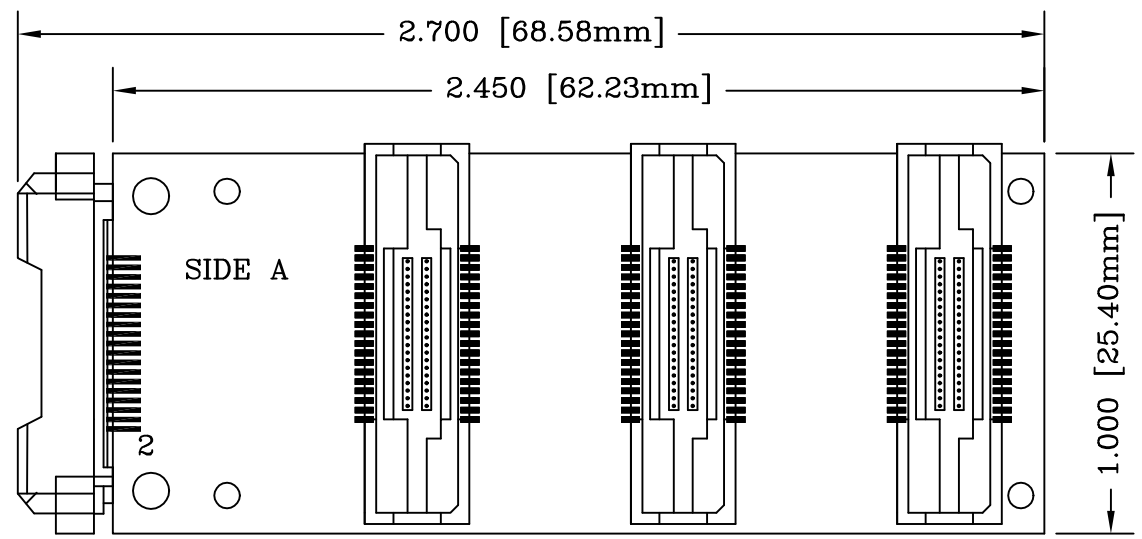
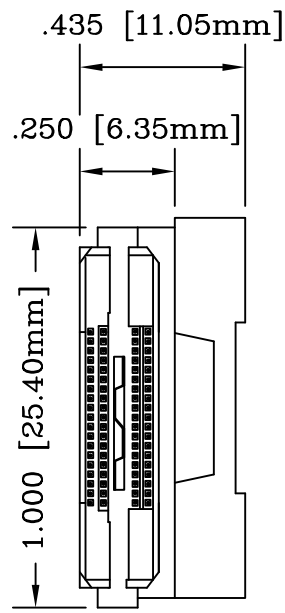
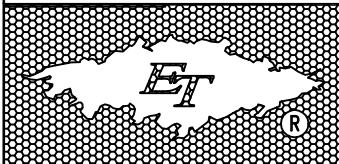


REV	DESCRIPTION	DATE	BY
A	NEW DRAWING	12/17/02	H.N.

F6778
DOD 36778



ALL DIMENSIONS ARE IN INCHES UNLESS OTHERWISE SPECIFIED



Emulation Technology, Inc.
— VLSI and SMT ADAPTERS and ACCESSORIES —

2344 Walsh Avenue, Bldg.F TEL:(408)982-0660
Santa Clara, Ca 95051 FAX:(408)982-0664

SHEET: 1 OF 1	DATE: 12/17/02	REVISION: A	ASSEMBLY DRAWING
CHECKED: Perry Munroe	DRAWN: Huy Nguyen	⊙ ◁	ITEM: MIC-38-SPLITTER
Scale 2:1	DO NOT SCALE DRAWING		DESCRIPTION: MIC-38-SPLITTER