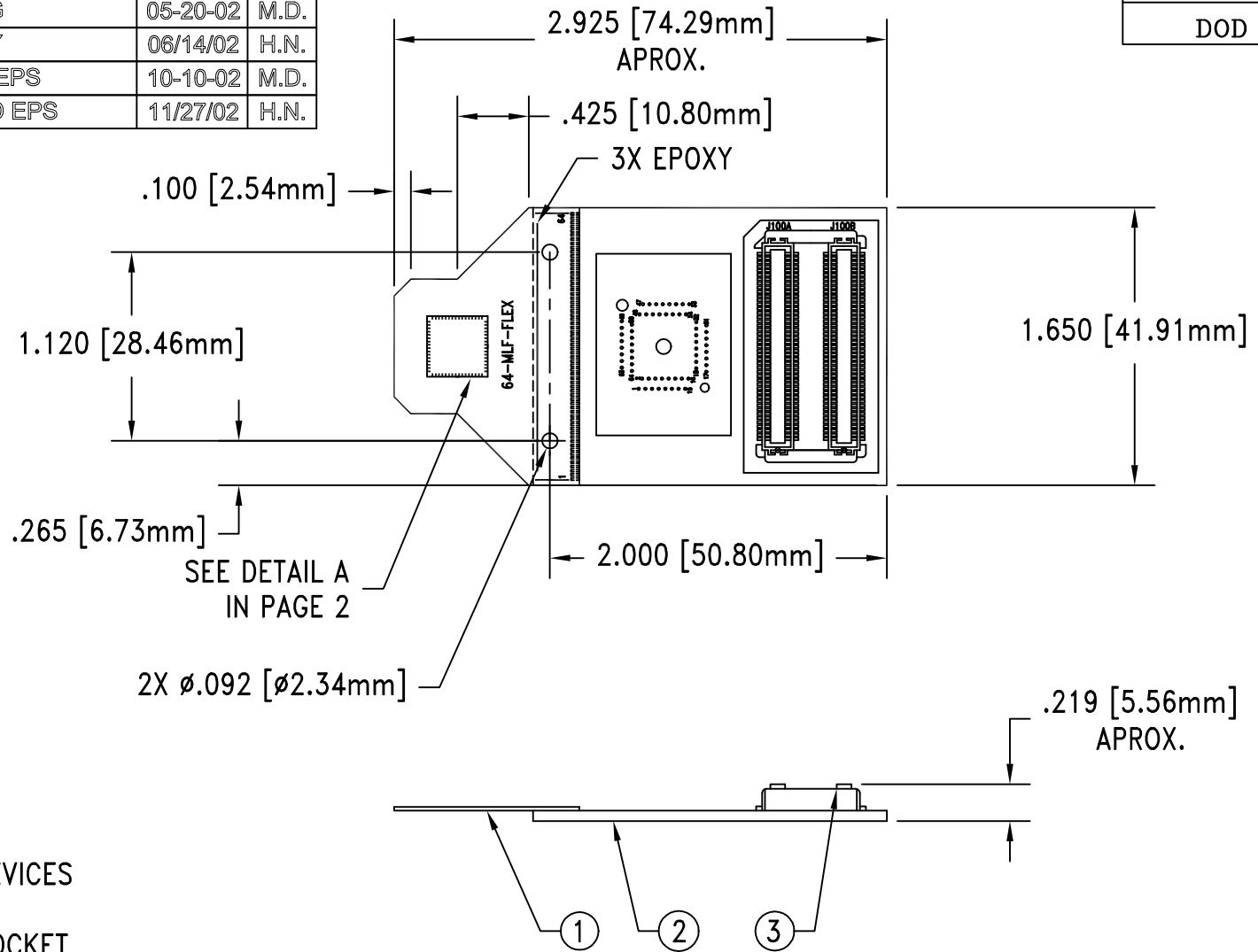


REV	DESCRIPTION	DATE	INIT
A	NEW DRAWING	05-20-02	M.D.
B	ADDED EPOXY	06/14/02	H.N.
C	ADDED EPP AND EPS	10-10-02	M.D.
D	REMOVED EPP AND EPS	11/27/02	H.N.

F6662
DOD 36662



NOTES:

1. APPLICABLE ATMEL DEVICES MEGA128
2. CAN BE USED WITH SOCKET S-MLF-00-064-A
3. PIN OUT TABLE ON PAGE 2

ALL DIMENSIONS ARE IN INCHES UNLESS OTHERWISE SPECIFIED



Emulation Technology, Inc.
-VLSI and SMT ADAPTERS and ACCESSORIES-
www.emulation.com

2344 Walsh Ave, Bldg. F Santa Clara, CA 95051

TEL: (408) 982-0660
FAX: (408) 982-0664

NO.	ITEM	DESCRIPTION	QTY.
1	64-MLF-FLEX	FLEX SIDE BOARD	1
2	64MLF-180MLEX	RIGID SIDE BOARD	1
3	CONMOLEX-92-SMT	SMT MOUNT ON TOP #2	1

SHEET: 1 OF 2	DATE: 11/27/02	REVISION: D	ASSEMBLY DRAWING
CHECKED: PERRY MONROE	DRAWN: MIGUEL DELGADILLO	ITEM: AS-X-340S	
DO NOT SCALE DRAWING			DESCRIPTION: AS-CONN-64ML34S-MEGA128(L)

F6662

DOD 36662

SIGNAL	MLF64	MOLEX
PEN	1	NC
PE0	2	52
PE1	3	51
PE2	4	54,132
PE3	5	53,131
PE4	6	58
PE5	7	57
PE6	8	60
PE7	9	59
PB0	10	16
PB1	11	15
PB2	12	18
PB3	13	17
PB4	14	22
PB5	15	21
PB6	16	24
PB7	17	23
PG3	18	77,169
PG4	19	82,171
/RESET	20	136
VCC	21,52	1,88,160
GND	22,53,63	*SEE TABLE
XTAL2	23	178
XTAL1	24	176
PDO	25	40,140
PD1	26	39,142
PD2	27	42
PD3	28	41
PD4	29	46
PD5	30	45
PD6	31	48
PD7	32	47
PG0	33	76
PG1	34	75
PC0	35	28
PC1	36	27
PC2	37	30
PC3	38	29
PC4	39	34
PC5	40	33
PC6	41	36
PC7	42	35
PG2	43	78
PA7	44	11
PA6	45	12
PA5	46	09
PA4	47	10
PA3	48	5
PA2	49	6
PA1	50	3

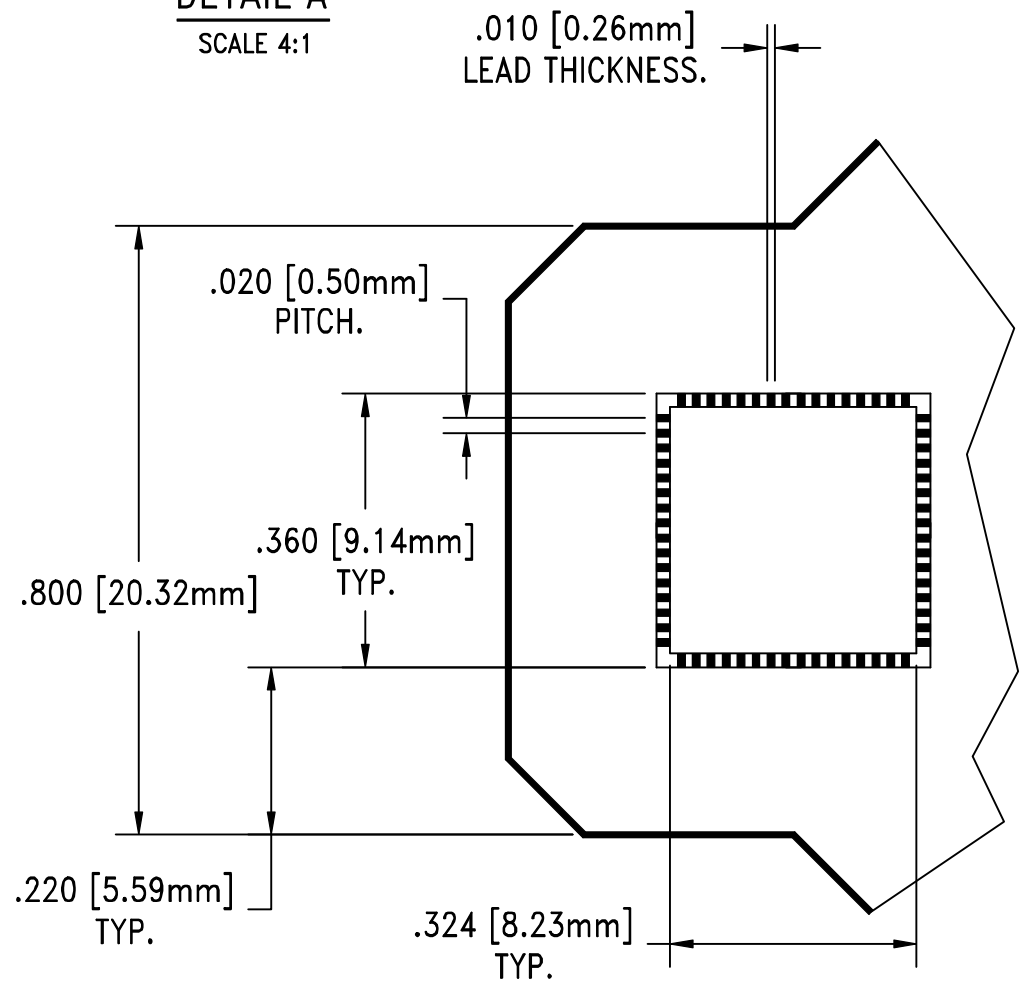
SIGNAL	MLF64	MOLEX
PA0	51	4
PF7	54	71,105
PF6	55	72,104
PF5	56	69,101
PF4	57	70,100
PF3	58	65,97
PF2	59	66,96
PF1	60	63,93
PFO	61	64,92
AREF	62	124
AVCC	64	128

*MOLEX GND PINS
2,7,8,13,14,19,20,25,26,31
32,37,38,43,44,49,50,55,56
61,62,67,68,73,74,79,80,85
86,89,90,91,94,95,98,99,102
103,106,107,108,109,110,111
112,113,114,115,116,117,118
119,120,121,122,123,126,129
130,133,134,135,138,141,143
144,145,158,162,166,167,173
174,175,177,179,180

TABLE OF CONNECTIONS

DETAIL A

SCALE 4:1



ALL DIMENSIONS ARE IN INCHES UNLESS OTHERWISE SPECIFIED



Emulation Technology, Inc.

-VLSI and SMT ADAPTERS and ACCESSORIES-

www.emulation.com

TEL: (408) 982-0660

2344 Walsh Ave, Bldg. F Santa Clara, CA 95051

FAX: (408) 982-0664

SHEET: 2 OF 2
DATE: 05-20-02
REVISION:

ASSEMBLY DRAWING

CHECKED: PERRY MONROE
DRAWN: MIGUEL DELGADILLO

ITEM: AS-X-340S

DO NOT SCALE DRAWING

DESCRIPTION: AS-CONN-64ML34S-MEGA128(L)