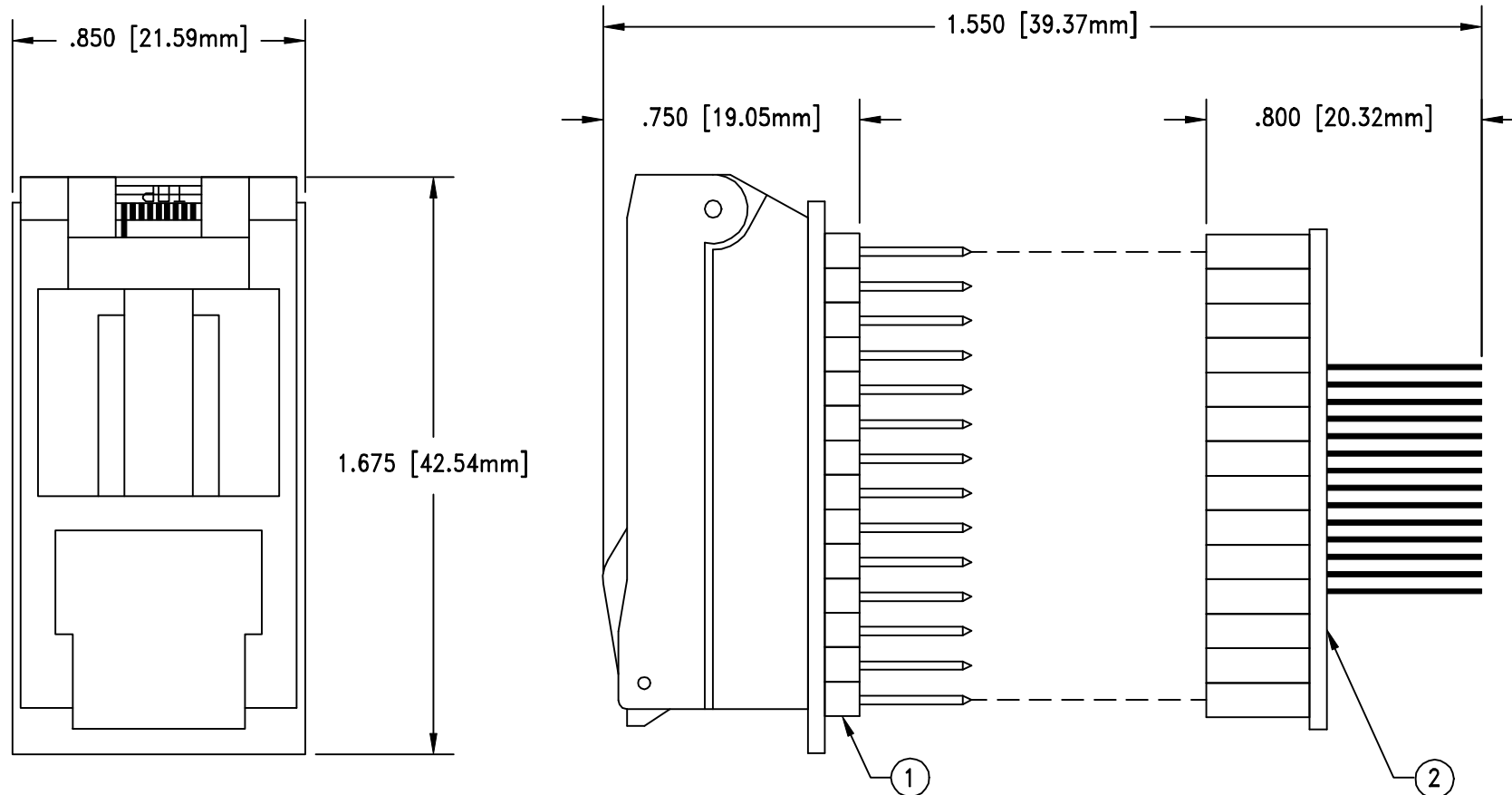


F5839

DOD 35839



SCALE 2:1

ALL DIMENSIONS ARE IN INCHES UNLESS OTHERWISE SPECIFIED



Emulation Technology, Inc.

— VLSI and SMT ADAPTERS and ACCESSORIES —

2344 Walsh Avenue, Bldg. F
Santa Clara, Ca 95051

TEL:(408)982-0660
FAX:(408)982-0664

SHEET: 1 OF 1	DATE: 4-10-00	REVISION:	ASSEMBLY DRAWING
CHECKED: Gene McKenna	DRAWN: Miguel Delgadillo	ITEM: APP028S003Z1-TP	
DO NOT SCALE DRAWING			DESCRIPTION: APP-28-S003Z-1-TP

NO.	ITEM	DESCRIPTION	QTY.
1	AX-028-S003Z	TOP SUB ASSEMBLY	1
2	EP528S003	BOTTOM SUB ASSEMBLY	1