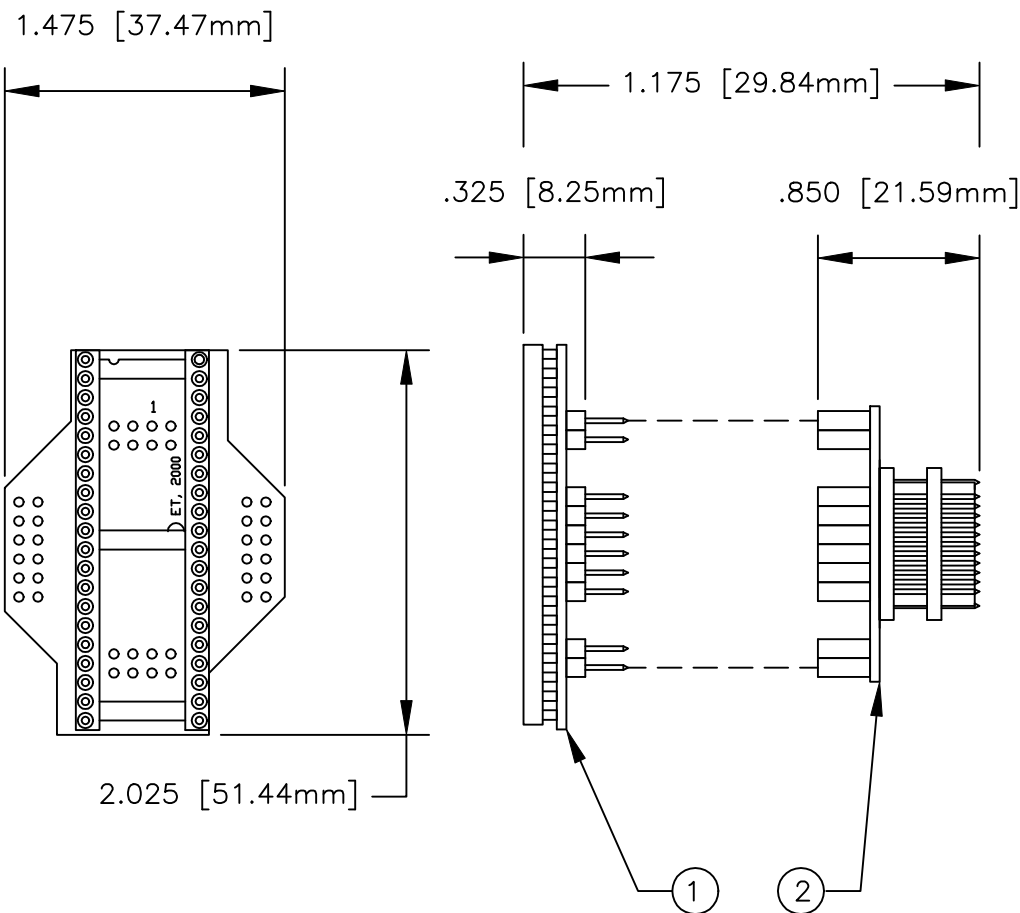


DIMENSIONS ARE IN INCHES [MILLIMETERS]

F5803

DOD 35803



USE WITH THE FOLLOWING ATMEL CIRCUITS:
 AT90(L)S8535, AT90(L)S4434, ATmega163(L),
 & ATmega83(L)

DIL	PLCC	DIL	PLCC	DIL	PLCC
1	2	15	16	29	32
2	3	16	17	30	33
3	4	17	18	31	34
4	5	18	19	32	35
5	6	19	20	33	36
6	7	20	21	34	37
7	8	21	22	35	38
8	9	22	25	36	39
9	10	23	26	37	40
10	11,23,44	24	27	38	41
11	1,12,24	25	28	39	42
12	13	26	29	40	43
13	14	27	30	--	--
14	15	28	31	--	--

ALL DIMENSIONS ARE IN INCHES UNLESS OTHERWISE SPECIFIED



Emulation Technology, Inc.

— VLSI and SMT ADAPTERS and ACCESSORIES —

2344 Walsh Avenue, Bldg. F
 Santa Clara, Ca 95051

TEL:(408)982-0660
 FAX:(408)982-0664

SHEET: 1 OF 1	DATE: 6-16-00	REVISION:	ASSEMBLY DRAWING
CHECKED: Paula Olsen	DRAWN: Miguel Delgadillo	ITEM: AS-IV-243	
DO NOT SCALE DRAWING		DESCRIPTION: AS-DIP-PCC-AT90(L)S8535	

NO.	ITEM	DESCRIPTION	QTY.
1	AX-DIP-PLCC-ATX	TOP SUB ASSEMBLY	1
2	AP4-44-SUB1	BOTTOM SUB ASSEMBLY	1