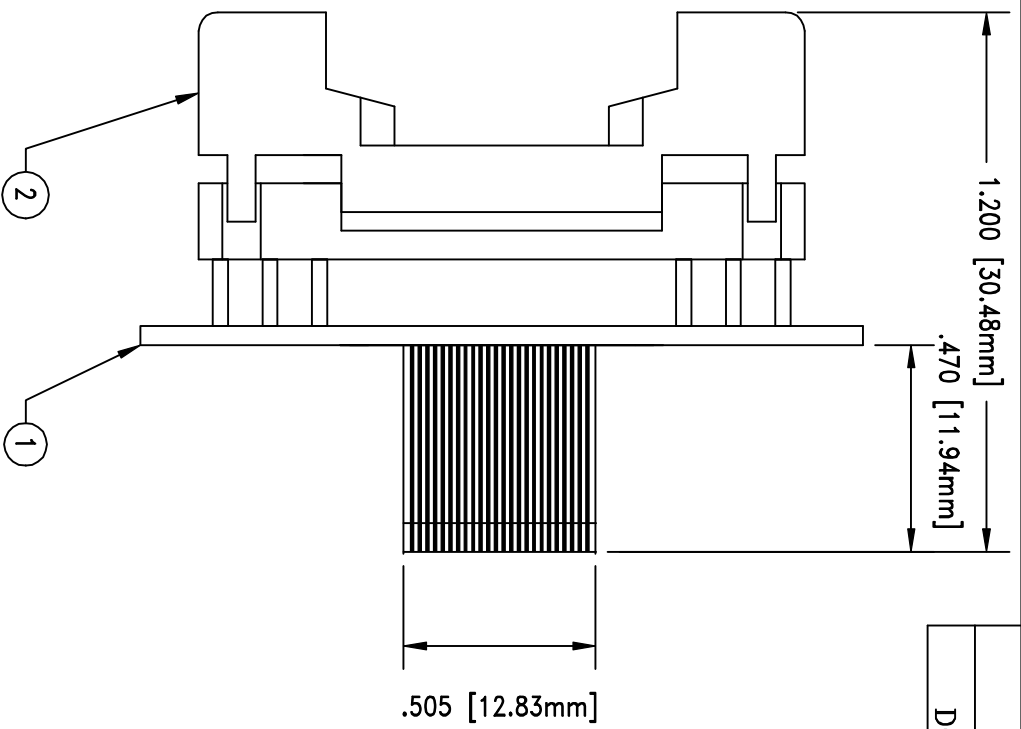
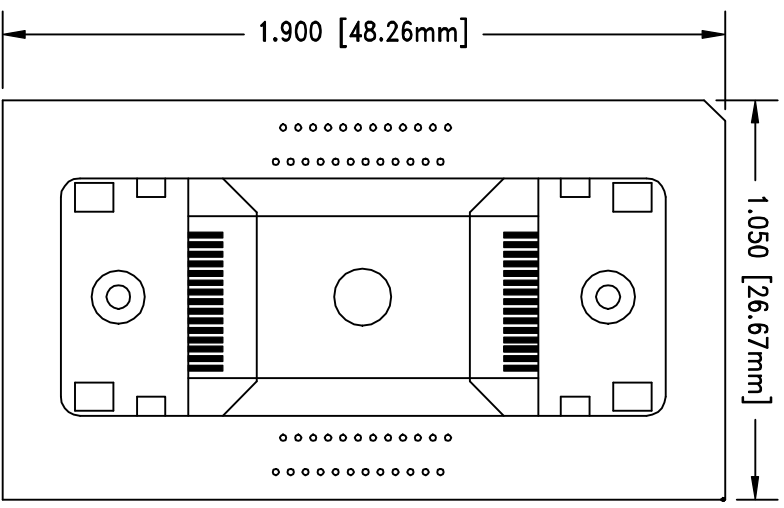
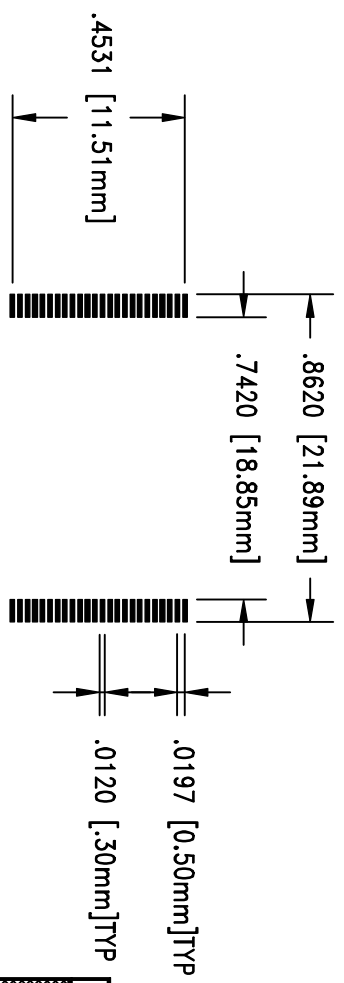


REV	DESCRIPTION	DATE	BY
A	NEW DRAWING	7/14/00	M.D.
B	UPDATED DRAWING & DIMENSIONS	07/26/01	H.N.

F4339
DOD 34339



NOTES: THIS ADAPTER IS WIRED 1 TO 1



RECOMMENDED PAD LAYOUT

SCALE 2:1

NO.	ITEM	DESCRIPTION	QTY.
1	APP-48TS1-SUB	SUB ASSEMBLY	1
2	S-TS0-00-048-B1	PLUG IN TOP OF #1	1

ALL DIMENSIONS ARE IN INCHES UNLESS OTHERWISE SPECIFIED

**Emulation Technology, Inc.**  
 VLSI and SMT ADAPTERS and ACCESSORIES  
 2344 Walsh Avenue, Bldg. F  
 Santa Clara, Ca 95051  
 TEL:(408)982-0660  
 FAX:(408)982-0664

**ET**

SHEET: 1 OF 1  
 DATE: 7-14-00  
 REVISION: B

CHECKED: Perry Munroe  
 DRAWN: Miguel Delgadillo

ITEM: APP048TS01Z  
 DESCRIPTION: APP-048-TS01Z-2

DO NOT SCALE DRAWING