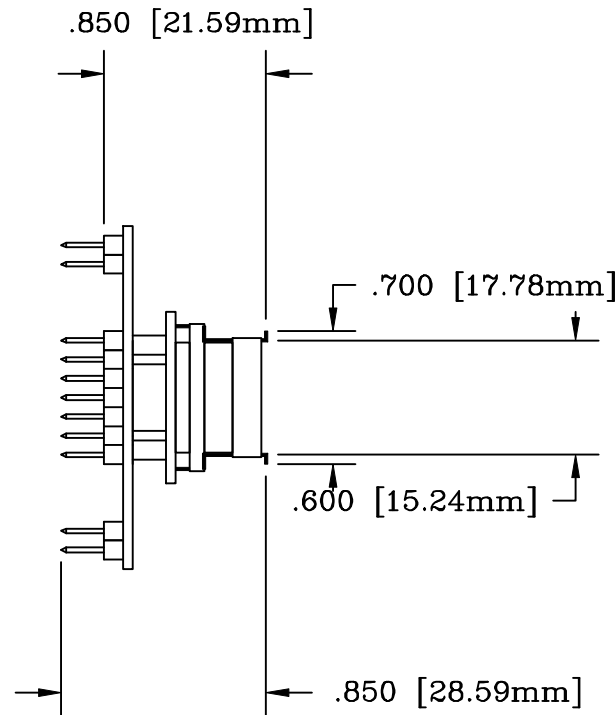
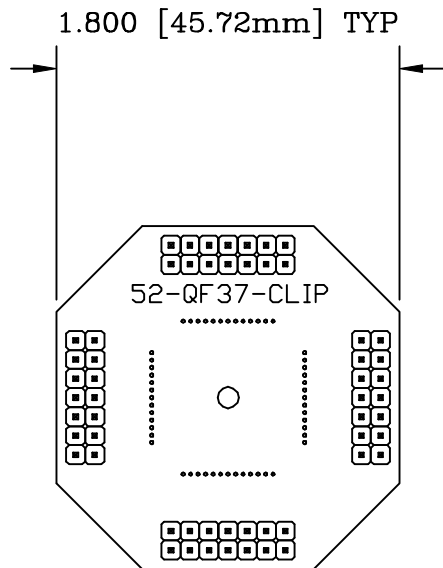
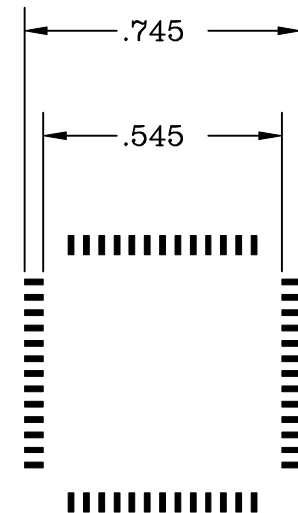


F4338

DOD 34338



RECOMMENDED
MINIMUM PAD LAYOUT



ALL DIMENSIONS ARE IN INCHES UNLESS OTHERWISE SPECIFIED



Emulation Technology, Inc.
— VLSI and SMT ADAPTERS and ACCESSORIES —

2344 Walsh Avenue, Bldg. F
Santa Clara, Ca 95051

TEL:(408)982-0660
FAX:(408)982-0664

| NO. | ITEM | DESCRIPTION | QTY. |
|-----|-----------------|----------------------|------|
| 1 | 52-QF37-CLIP | BASE BOARD | 1 |
| 2 | CLIP-052-QF37-B | MOUNT ON REAR OF #1 | 1 |
| 3 | WWPOST-36-AS | MOUNT ON FRONT OF #1 | 2 |

| | | | |
|------------------------|------------------------|---------------------------------|-------------------------|
| SHEET: 1 OF 1 | DATE: 3-7-00 | REVISION: | ASSEMBLY DRAWING |
| CHECKED: Dan Altman | DRAWN: Arika Healey | ITEM: CLIP052QF37B | |
| DO NOT SCALE DRAWING | | DESCRIPTION: CLIP-052-QF37-B | |