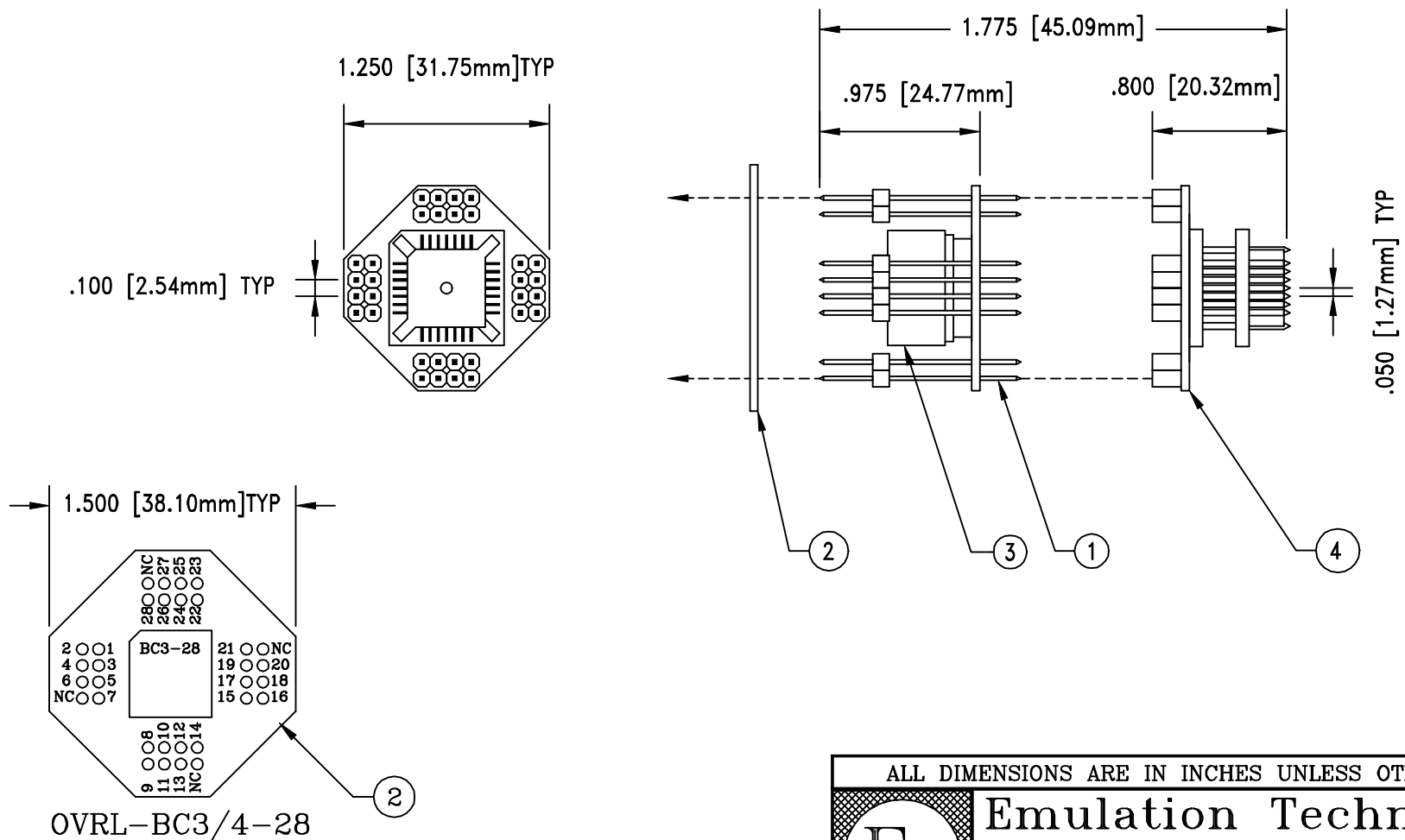


REV	DESCRIPTION	DATE	BY
A	NEW DRAWING	8/31/94	P.M.
B	UPDATED DIMENSIONS	04/11/01	H.N.

F1595
DOD 31595



OVRL-BC3/4-28

ALL DIMENSIONS ARE IN INCHES UNLESS OTHERWISE SPECIFIED

Emulation Technology, Inc.
 — VLSI and SMT ADAPTERS and ACCESSORIES —

2344 Walsh Avenue, Bldg. F Santa Clara, Ca 95051
 TEL:(408)982-0660 FAX:(408)982-0664

ASSEMBLY DRAWING

SHEET: 1 OF 1 DATE: 04/11/01 REVISION: B
 CHECKED: Perry Munroe DRAWN: PAULA McKENNA
 ITEM: BC-IV-000/2
 DESCRIPTION: BC4-028-PCC6-0000

DO NOT SCALE DRAWING

NO.	ITEM	DESCRIPTION	QTY.
1	BC4-28-SUB1	TOP SUB ASSEMBLY	1
2	OVRL-BC3/4-28	OVERLAY	1
3	S-PCC-06-028-A	PLUG IN ON TOP OF #1	1
4	AP4-28-SUB1	BOTTOM SUB ASSEMBLY	1