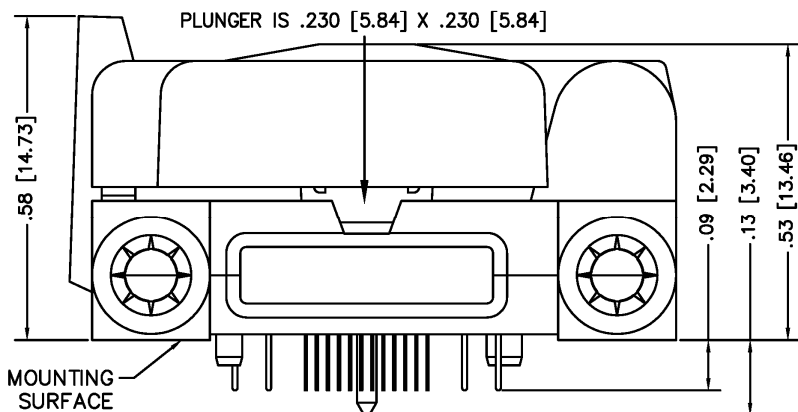
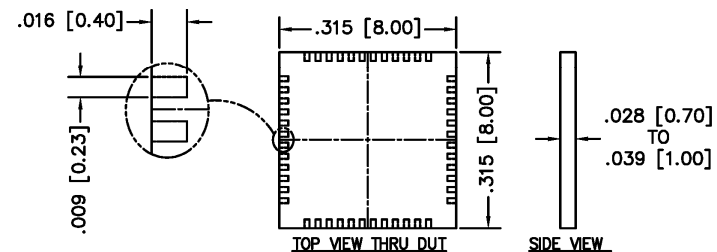
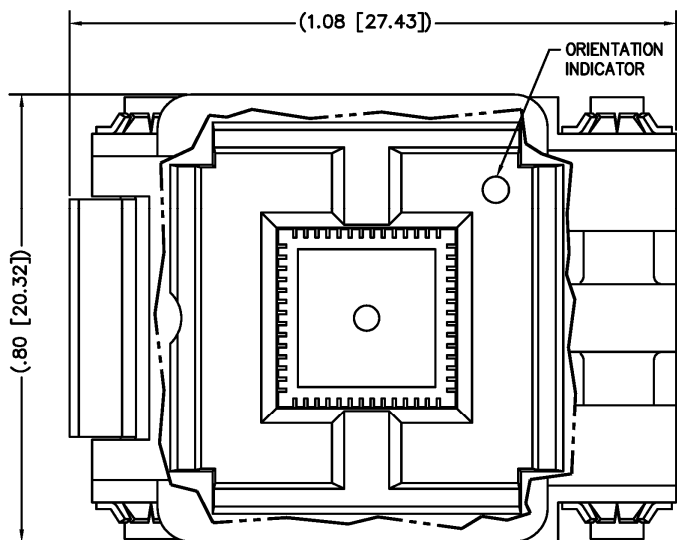


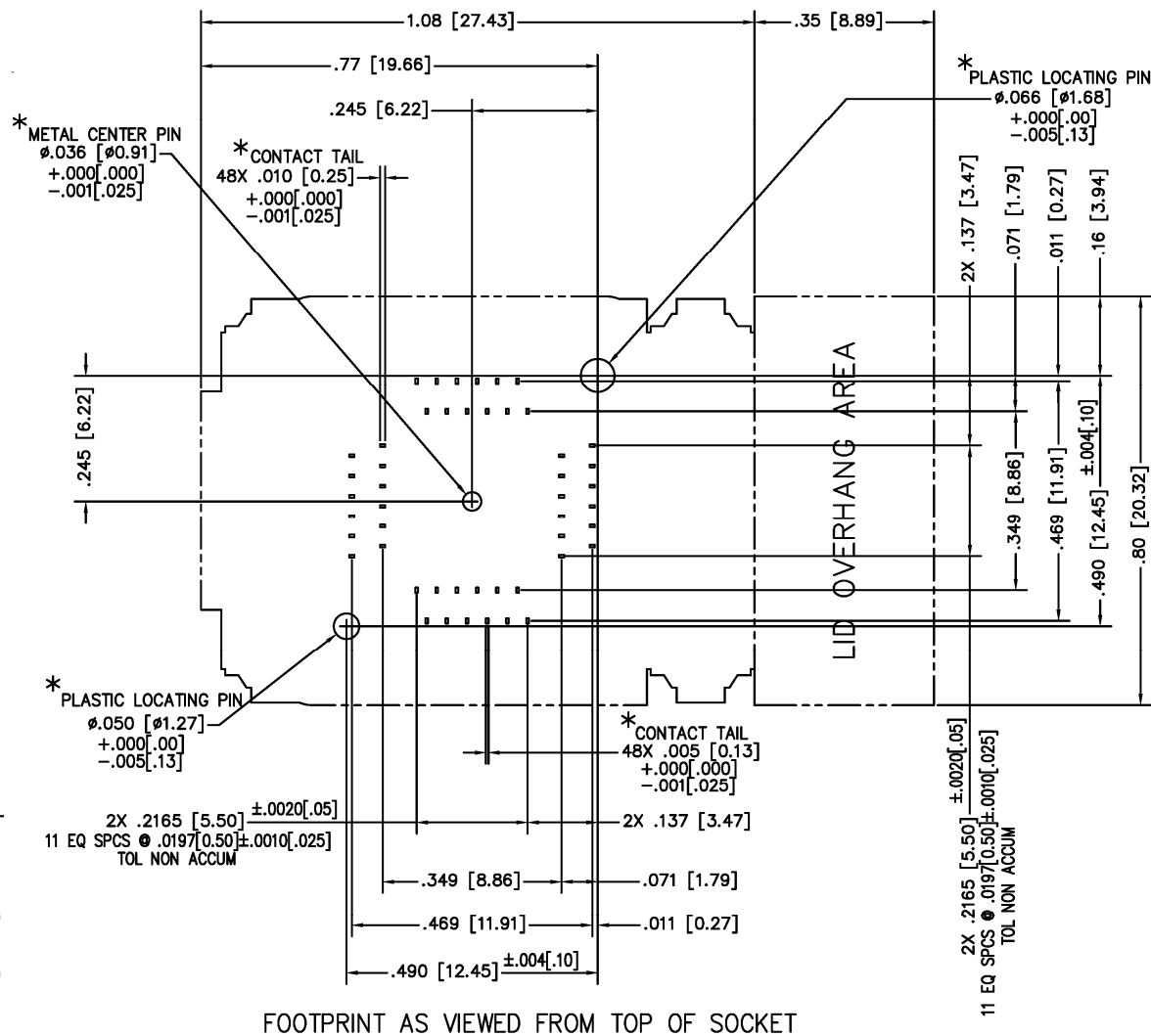
REV	DESCRIPTION	DATE	BY
A	NEW DRAWING	11/12/09	JAG

SKT3363

**NOTE : \* DIMENSIONS OF SOCKET FEATURES SHOWN.  
BOARD DESIGNER SHOULD SELECT APPROPRIATE HOLE  
SIZES TO PROVIDE A SLIP FIT FOR THESE FEATURES.**



PACKAGE SPECIFICATIONS	
PIN COUNT =	48
LEAD PITCH =	.020 [0.50mm]
PACKAGE WIDTH =	.315 sq. [8mm sq.]
PIN PER SIDE =	12
ET PACKAGE CODE =	48-ML96



FOOTPRINT AS VIEWED FROM TOP OF SOCKET

UNLESS OTHERWISE SPECIFIED

.XXX = ±.003 SURFACE  
.XX = ±.010 FINISH  
.X = ±.020  
ANGLE = ±1

ALL DIM ARE IN INCHES  
ALL DIM (XX) ARE MILLIMETERS  
REMOVE ALL BURRS AND  
SHARP EDGES

HOLE TOLERANCES  
.0135 THRU .125 = +.004 -.001  
.128 THRU .250 = +.005 -.001  
.251 THRU .500 = +.006 -.001  
.501 THRU .750 = +.008 -.001  
.751 THRU 1.00 = +.010 -.001  
1.001 THRU 2.00 = +.012 -.001

ALL DIMENSIONS ARE IN INCHES [MM] UNLESS OTHERWISE SPECIFIED



**EMULATION TECHNOLOGY, INC.**

VLSI and SMT ADAPTERS and ACCESSORIES

759 FLYNN ROAD  
CAMARILLO, CA 93012

TEL: (805) 383-8480  
FAX: (805) 383-8484

SHEET:  
1 OF 1

DATE:  
11/12/09

REVISION:  
A

ASSEMBLY DRAWING

CHECKED:

PREPARED BY:  
J. GELACIO

ITEM:

S-MLF-00-048-E

DESCRIPTION:

S-MLF-00-048-E

DO NOT SCALE DRAWING