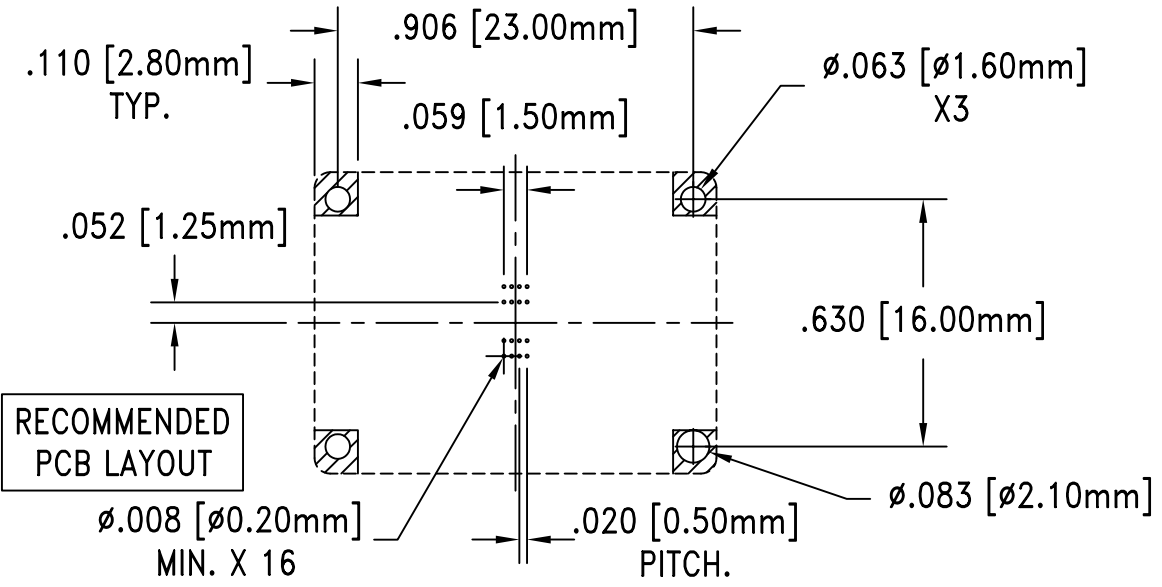
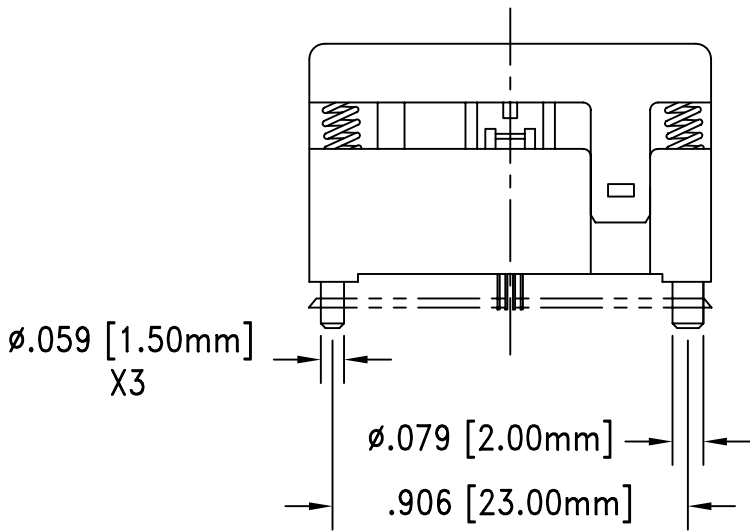
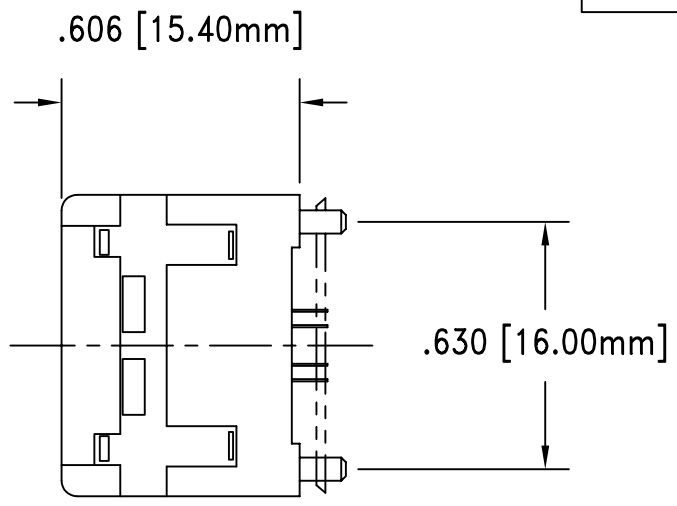
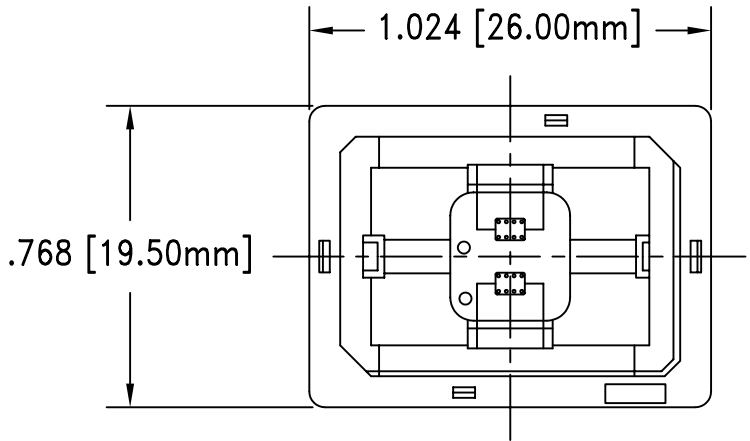


REV	DESCRIPTION	DATE	INIT
A	NEW DRAWING	06-17-04	M.D.
B	ADDED PAGE # 2	08/16/04	H.N.

SKT2023



ALL DIMENSIONS ARE IN INCHES UNLESS OTHERWISE SPECIFIED



EMULATION TECHNOLOGY, INC.

— VLSI and SMT ADAPTERS and ACCESSORIES —

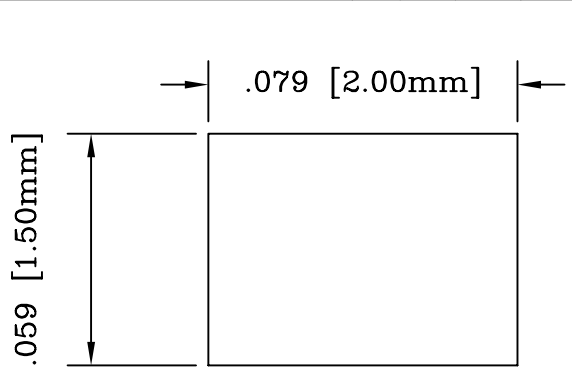
2344 WALSH AVENUE, BLDG. F
SANTA CLARA, CA 95051

TEL: (408) 982-0660
FAX: (408) 982-0664

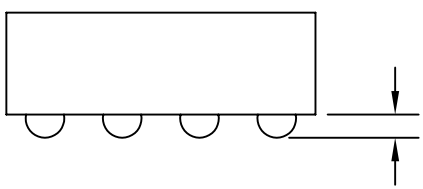
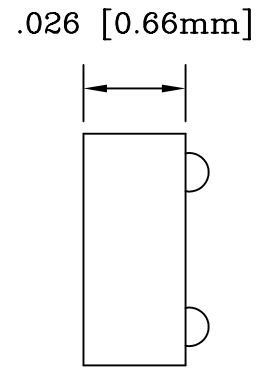
SHEET: 1 OF 2	DATE: 08/16/04	REVISION: B	ASSEMBLY DRAWING
CHECKED: PERRY MONROE	DRAWN: MIGUEL DELGADILLO	ITEM: S-MBG-2X4-008-A	DESCRIPTION: S-MBG-2X4-008-A
SCALE 2:1			

REV	DESCRIPTION	DATE	BY
A	NEW DRAWING	08/16/04	H.N.

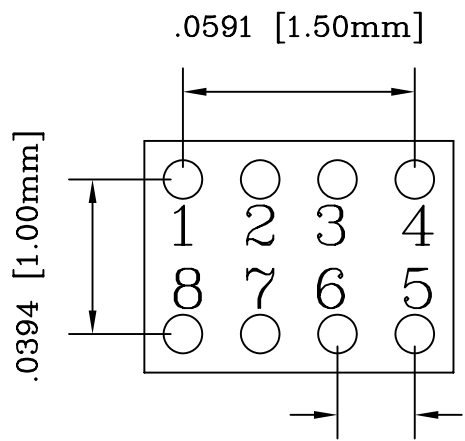
SKT2023



TOP VIEW



.006 [0.15mm]



.0197 [0.50mm]

BOTTOM VIEW

PACKAGE DRAWING

ALL DIMENSIONS ARE IN INCHES UNLESS OTHERWISE SPECIFIED

Emulation Technology, Inc.
 — VLSI and SMT ADAPTERS and ACCESSORIES —
 2344 Walsh Avenue, Bldg.F Santa Clara, Ca 95051
 TEL:(408)982-0660 FAX:(408)982-0664

SHEET: 2 OF 2	DATE: 08/16/04	REVISION: A	ASSEMBLY DRAWING
CHECKED: Perry Munroe	DRAWN: Huy Nguyen	ITEM: S-MBG-2X4-008-A	
Scale 20:1		DO NOT SCALE DRAWING	DESCRIPTION: S-MBGA-2X4-008-A