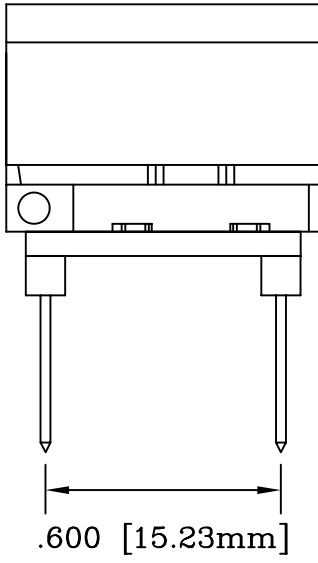
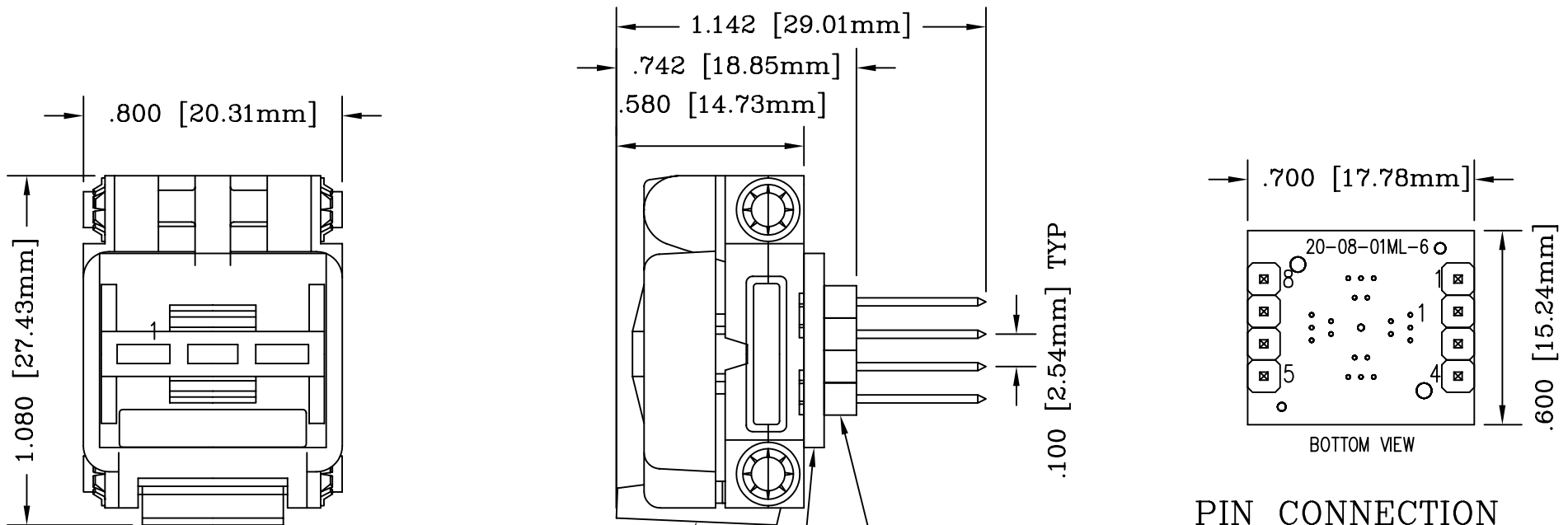


REV	DESCRIPTION	DATE	BY
A	NEW DRAWING	05/20/05	H.N.

F7481



FOR ATMEL
 Attiny13
 Attiny25
 Attiny45
 Attiny85

PIN CONNECTION

MLF	NET NAME	DIP
1	PB5	1
2	PB3	2
5	PB4	3
8	GND	4
11	PB0	5
12	PB1	6
14	PB2	7
15	VCC	8

ALL DIMENSIONS ARE IN INCHES UNLESS OTHERWISE SPECIFIED

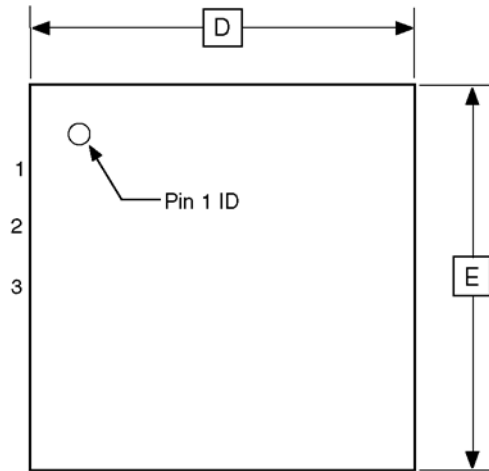
Emulation Technology, Inc.
 — VLSI and SMT ADAPTERS and ACCESSORIES —
 2344 Walsh Avenue, Bldg.F Santa Clara, Ca 95051
 TEL:(408)982-0660 FAX:(408)982-0664

NO.	ITEM	DESCRIPTION	QTY.
1	20-08-01ML-6	BASE BOARD	1
2	S-MLF-00-020-C	MOUNT ON TOP #1	1
3	WWPOST-40-PGA	SOLDER ON BOTTOM #1	.2

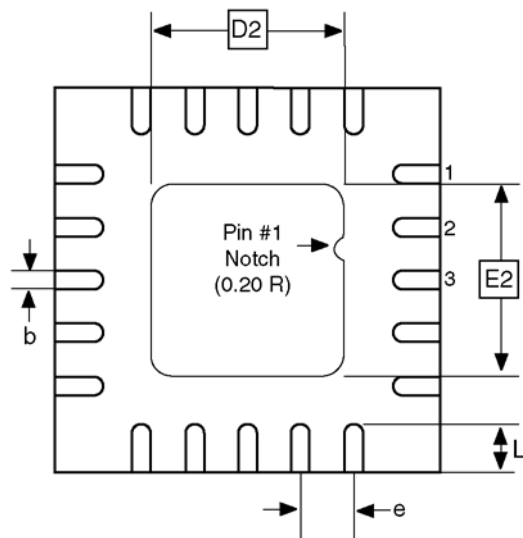
SHEET: 1 OF 2	DATE: 05/20/05	REVISION: A	ASSEMBLY DRAWING
CHECKED: Perry Munroe	DRAWN: Huy Nguyen	ITEM: 200801ML600	
Scale 2:1	DO NOT SCALE DRAWING	DESCRIPTION: AS-20-08-01ML-6	

REV	DESCRIPTION	DATE	BY
A	NEW DRAWING	5/20/05	SC

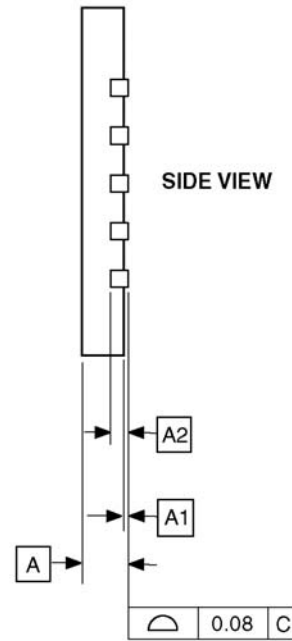
F7481



TOP VIEW



BOTTOM VIEW



SIDE VIEW

COMMON DIMENSIONS
(Unit of Measure = mm)

SYMBOL	MIN	NOM	MAX	NOTE
A	0.70	0.75	0.80	
A1	-	0.01	0.05	
A2	0.20 REF			
b	0.18	0.23	0.30	
D	4.00 BSC			
D2	2.45	2.60	2.75	
E	4.00 BSC			
E2	2.45	2.60	2.75	
e	0.50 BSC			
L	0.35	0.40	0.55	

20M1, 20-pad, 4 x 4 x 0.8 mm Body, Lead Pitch 0.50 mm,
2.6 mm Exposed Pad, Micro Lead Frame Package (MLF)

ALL DIMENSIONS ARE IN INCHES UNLESS OTHERWISE SPECIFIED



Emulation Technology, Inc.

VLSI and SMT ADAPTERS and ACCESSORIES

2344 Walsh Avenue, Bldg F
Santa Clara, CA 95051

TEL: (408) 982-0660
FAX: (408) 982-0664

SHEET: 2 OF 2	DATE: 5/20/05	REVISION: A	ASSEMBLY DRAWING
CHECKED: Joe Bagliere	DRAWN: SC	ITEM: 200801ML600	
SCALED: N/A	DO NOT SCALE DRAWING	DESCRIPTION: AS-20-08-01ML-6	

Note: Reference JEDEC Standard MO-220, Fig. 1 (SAW Singulation) WGGD-5.