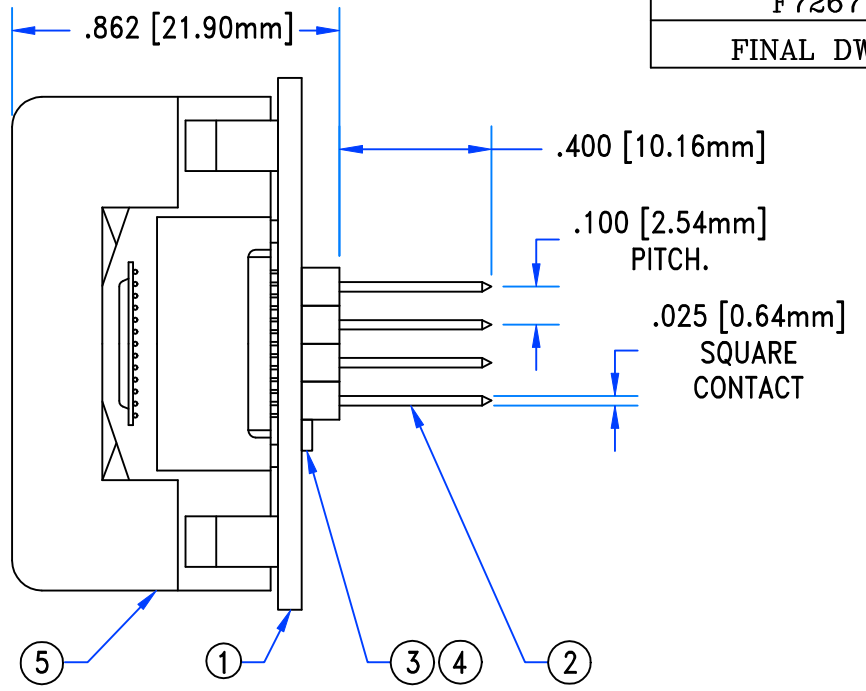
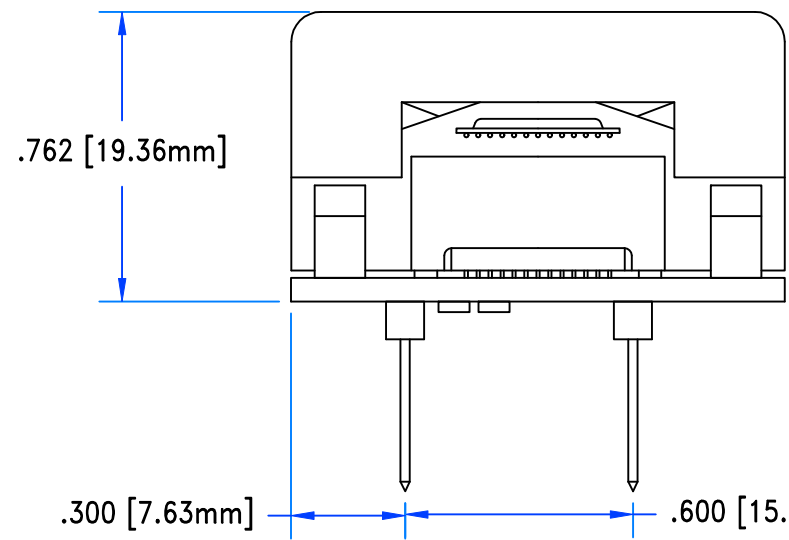
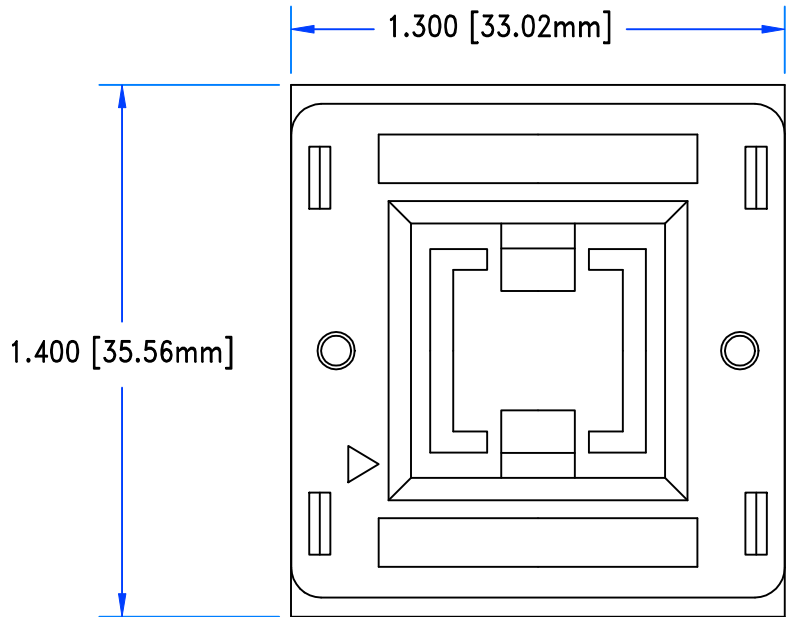


F7267
FINAL DWG.



NET NAME	DIP	BGA	C1	R1
EESCL	6	L10	--	--
EESDA	5	L8	--	--
REC_OSC_IN	--	G1	2	2
RC_OSC_OUT	--	B4, L4	--	1
VDDD/VDDA	8	K1, K2, K3, G2, H2, F2, E2, D2, C2, D4, C4, J4, H5 G5, F5, E5, H6, H1, G6, F6, E6, G7, F7	--	--
VSSD/VSSA	4	B1, A1, C1, J1, L1, L2, A2, B2, J2, L3, A3, B3, C3, D3, G3 H3, J3, K4, G4, H4, K5, A5, A6, D5, J5, J6, L5, B6, C6 D6, J7, L6, A7, B7, C7, E7, H7, H8, K7, L7, A8, D8, E8 F8, H9, J8, K8, C9, D9, E9, F9, H10, J9, K9, L9, A10, B10 C10, D10, E10, F10, G10, J10, K10, B11, C11, D11, E11 H11, L11,	1	--

REV	DESCRIPTION	DATE	INIT
A	NEW DRAWING	06-07-04	M.D.

ALL DIMENSIONS ARE IN INCHES UNLESS OTHERWISE SPECIFIED

Emulation Technology, Inc.
-VLSI and SMT ADAPTERS and ACCESSORIES-
www.emulation.com TEL: (408) 982-0660
2344 Walsh Ave, Bldg. F Santa Clara, CA 95051 FAX: (408) 982-0664

NO.	ITEM	DESCRIPTION	QTY.
1	121BGA-08DIP.6	BASE BOARD	1
2	WWPOST-36-PGA	SOLDER ON BOTTOM #1	.22
3	CAP-47PF-0805SM	MOUNT ON BOT #1 @ C1	1
4	R-3.83K-1206-SM	MOUNT ON BOT #1 @ R1	1
5	S-BGA-11-121-B	SOLDER ON TOP #1	1

SHEET: 1 OF 1	DATE: 06-08-04	REVISION:	ASSEMBLY DRAWING
CHECKED: PERRY MUNROE	DRAWN: MIGUEL DELGADILLO	ITEM: 1210801BG600	
SCALE 2:1			DESCRIPTION: AS-121-08-01BG-6