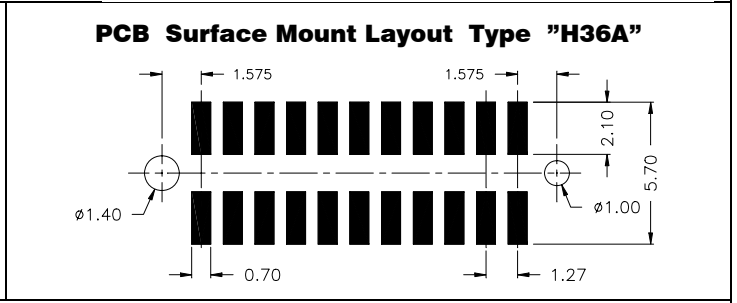
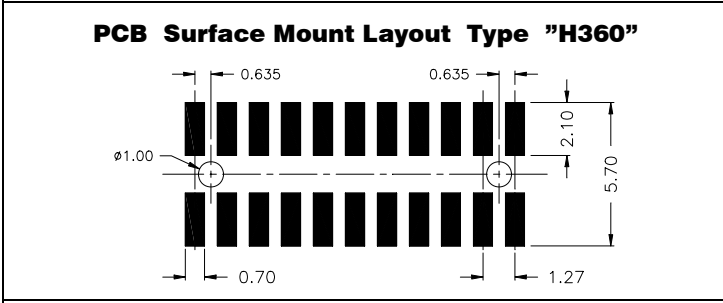
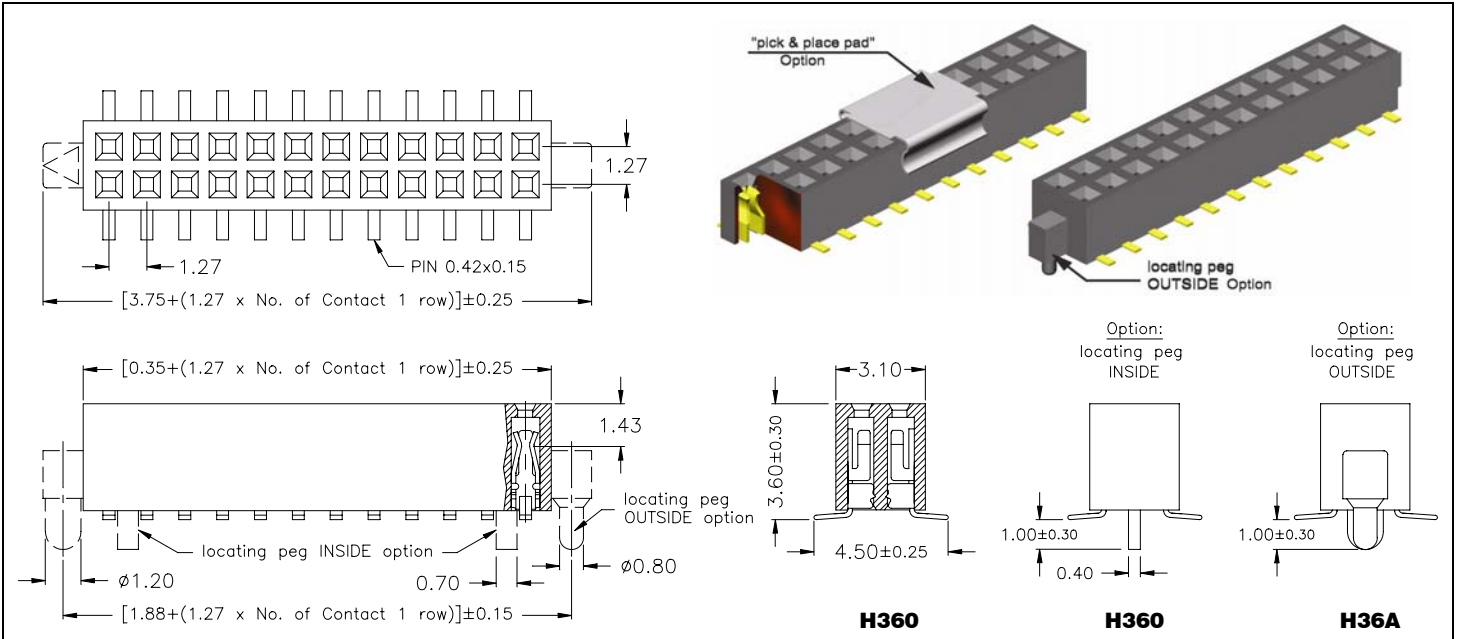


1.27mm pitch Female Header  
 - SMT - dual row 3.60mm profile



**APPLICATION AND FEATURES**

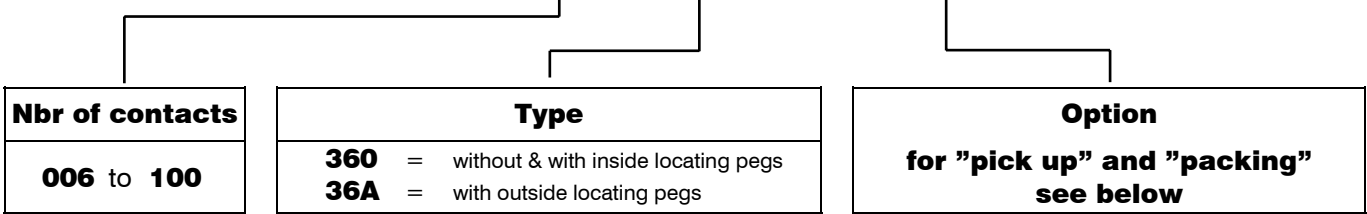
- Standard: tube packing without locating pegs
- Also available with "pick & place pad" for automatic suck assembly to the PCB
- Low profile, 3.60mm height Type. Hi-rel dual beam contacts.
- Mating with 1.27mm x 1.27mm pitch, 0.40mm square or round pin headers.

**SPECIFICATIONS**

Current rating	1 A	Operating temperature	- 40°C to +105°C
Insulator resistance	5000 MΩ min.	Processing temperature	+250°C +0/-5°C for 10sec.
Contact resistance	20 mΩ max.	Contact material	(RoHS compliant) Phosphor Bronze
Dielectric withstanding voltage	500 V AC	Insulator material	(RoHS compliant) Nylon or LCP UL 94 V-0

How to order

BS2 - xxx - H xxx - 55 / 11 XX



**Order Code Options:**

without "locating pegs"		with "locating pegs"	
BS2-xxx-H360-55/11	= w/o pick up pad & tube packing	BS2-xxx-H360-55/11C	= w/o pick up pad & tube packing
BS2-xxx-H360-55/11A	= with pick up pad & tube packing	BS2-xxx-H360-55/11D	= with pick up pad & tube packing
BS2-xxx-H360-55/11B	= with pick up pad & reel packing	BS2-xxx-H36A-55/11D	= with pick up pad & tube packing
		BS2-xxx-H360-55/11E	= with pick up pad & reel packing
		BS2-xxx-H36A-55/11E	= with pick up pad & reel packing